

get **more** 010.2936

State-of-the-art connection technology for all purposes

- Country-specific outlets and solutions
- R&M Smartholes for the security and environment system
- Labelling integrated with outlets
- Close cooperation with various regional switch manufacturers

@ R&M

i For Country Specific Outlets, please contact your local R&M partners.

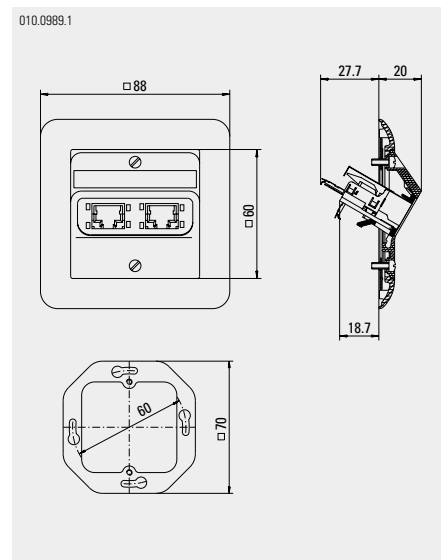
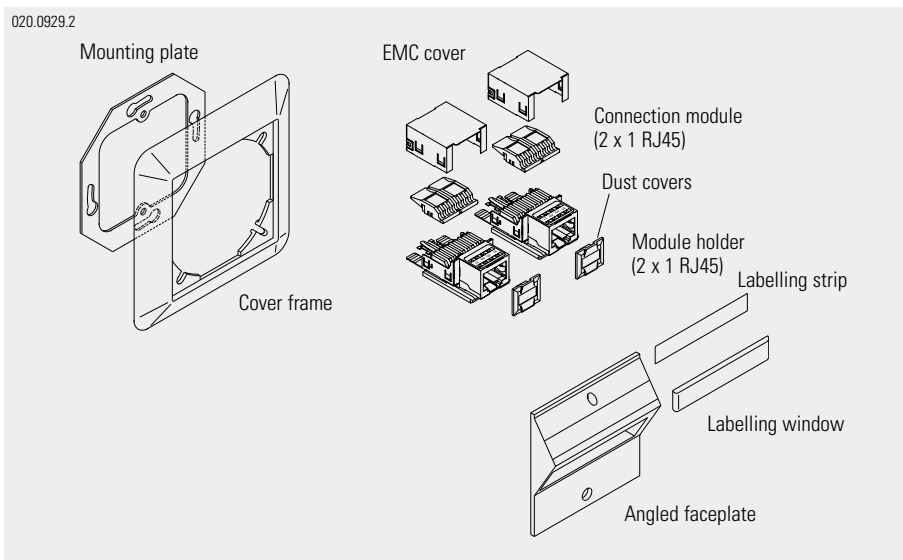


Products	Page
1 FM (Global) Outlets, 88 x 88 mm	122
2 WM Outlets, 80 x 80 mm	124
DM Outlets, 80 x 86 mm	125
3 DM Outlets, Ø62.5 mm	126
Outlets Type 503	127
4 DIN Outlets	128
5 Mounting Units DK	129
BS Faceplates	130
Flap Jack Module Holder	131

Products	Page
Shuttered Fascia, 25 x 50 mm	132
6 Mounting Plates, 45 x 45 mm	133
Mini Mount Box	134
US Style Faceplates	136
MUTO Outlets, 12 x 1 Port	138
Third-Party Outlets Suppliers	139
List of Third-Party Suppliers	146
7 Overview of FO outlets	149



These outlets are designed for flush installation on walls or ducts. The outlets accommodate cover frames and duct covers with \varnothing 70 mm or \square 70 mm cutouts. The mounting plate allows installation on backboxes and floorbox with \varnothing 60 mm mounting track. Recommended depth for backboxes and floorboxes > 70 mm.



Ordering Information

Description

Packing Unit

Part Number



FM Global Outlet, 88 x 88, 2 x 1 Port (incl. blind cover for the optional use as 1-port outlet)

Plastic: PC + ABS
Halogen-free in acc. with DIN/VDE 0472/815
Colour: white/RAL 9010
Colour: beige/RAL 1013

10
10

R310788
R310789



FM Global Outlet, 88 x 88, 4 x 1 Port

Plastic: ASA + PC
Halogen-free in acc. with DIN/VDE 0472/815
Colour: white/RAL 9010

10

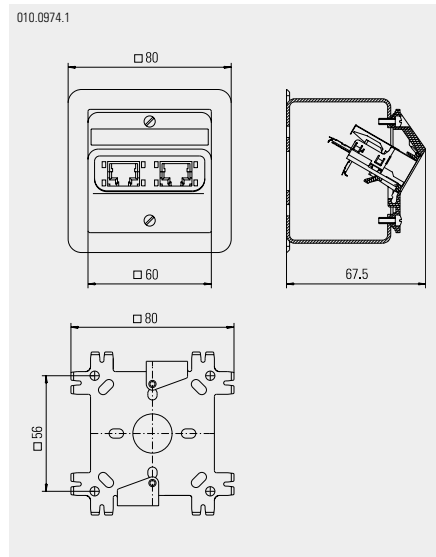
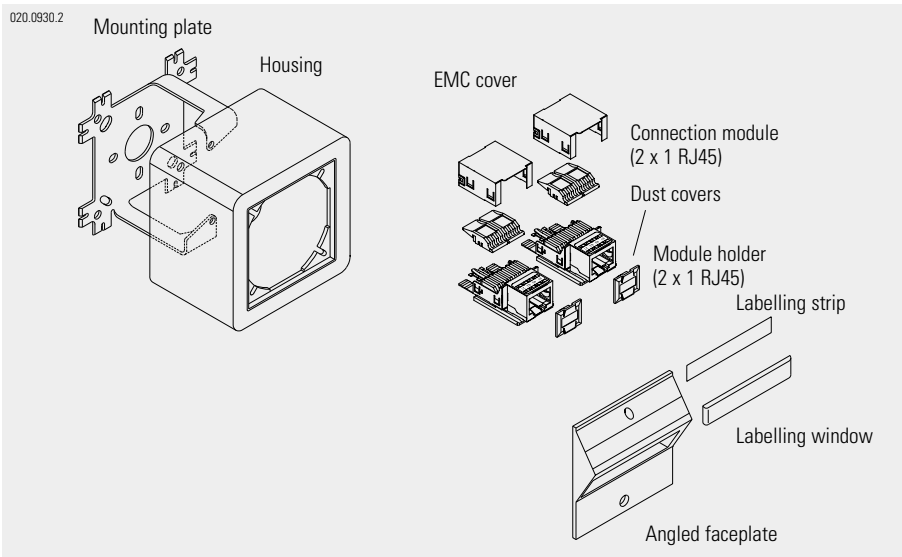
R305150

Matching Modules				Matching Accessories			
1 x RJ45/s 1 x RJ45/u (1+2 port only)	1 x RJ45/s Cat. 6 1 x RJ45/u Cat. 6 (1+2 port only)	1 x RJ45 without Mounting Plate (4+1 port only)	FO Adapters (1+2 port only)	Security Products	Splash Protective Line	Accessories	
010.2860 	010.2859 	010.2016 	020.0700 	010.0962.2 	010.2128.1 	010.0934 	
010.2858 	010.2857 	010.2017 	New ISDN module will be available in middle 2005	010.3116 		020.0045 	
Page 36/37	Page 36/37	Page 36/37		Page 46		Page 171/173	Page 177

WM Outlets
78 x 78 mm



These outlets are designed for installation on walls or ducts. The installation cables can enter through the side or from the rear. The mounting plate allows wall-mounted installations with \varnothing 60 mm mounting track or \square 56 mm mounting distance.



Ordering Information

Description

Packing Unit

Part Number



WM Outlet, 80 x 80, 2 x 1 Port (incl. blind cover for the optional use as 1-port outlet)

10

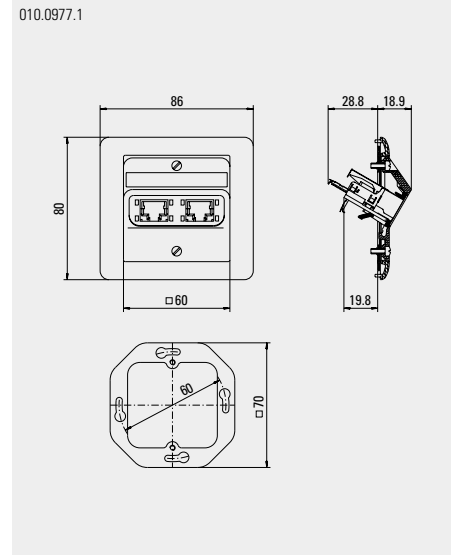
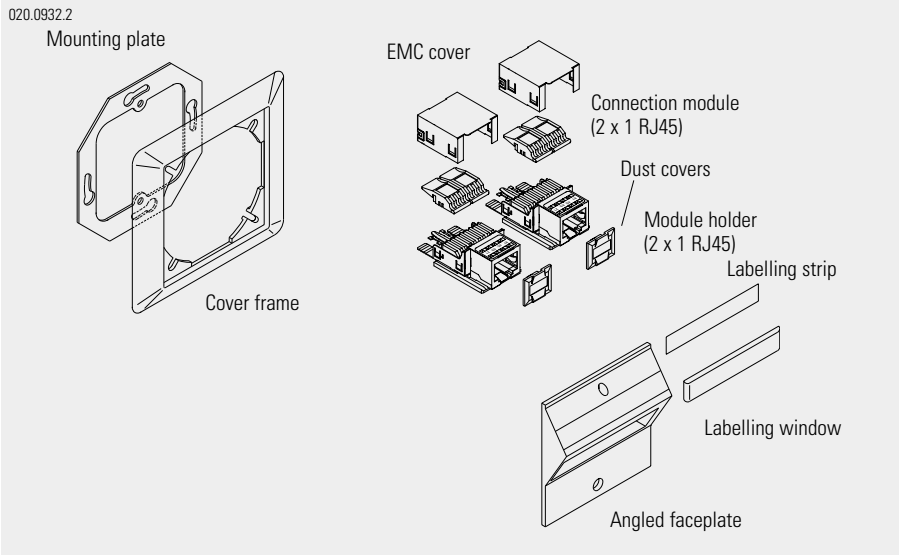
R310786

Plastic: PC + ABS
Halogen-free in acc. with DIN/VDE 0472/815
Colour: white/RAL 9010

Matching Modules				Matching Accessories		
1 x RJ45/s 1 x RJ45/u	1 x RJ45/s Cat. 6 1 x RJ45/u Cat. 6	FO Adapters		Security Products	Splash Protective Line	Accessories
010.2860 	010.2859 	020.0700 	New ISDN module will be available in middle 2005	010.0962.2 	010.2128.1 	010.0934
010.2858 	010.2857 			010.3116 		020.0045
Page 36/37	Page 36/37	Page 46		Page 171/173	Page 177	Page 64/145



These outlets are designed for installation in ducts with \downarrow 80 mm metal or plastic covers.
The mounting plate allows the flush installation on backboxes and floorboxes with \varnothing 60 mm mounting track or \square 56 mm mounting distance.
Recommended depth for backboxes and floorboxes > 70 mm.



Ordering Information	Description	Packing Unit	Part Number
----------------------	-------------	--------------	-------------



DM Outlet, 80 x 86, 2 x 1 Port
(incl. blind cover for the optional use as 1-port outlet)
Plastic: PC + ABS
Halogen-free in acc. with DIN/VDE 0472/815
Colour: white/RAL 9010
Colour: beige/RAL 1013

10
10
R310790
R310787



DM Outlet, 80 x 86, 4 x 1 Port
Plastic: ASA + PC
Halogen-free in acc. with DIN/VDE 0472/815
Colour: white/RAL 9010

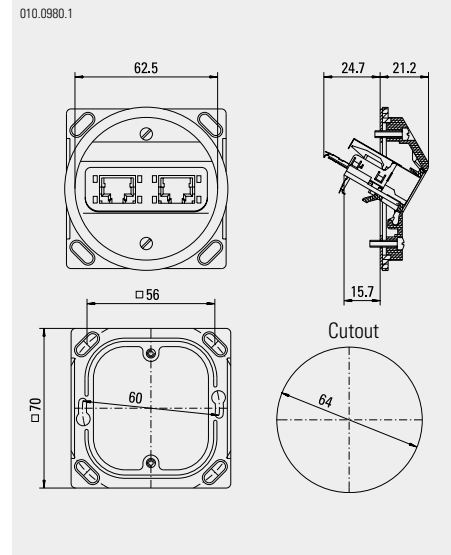
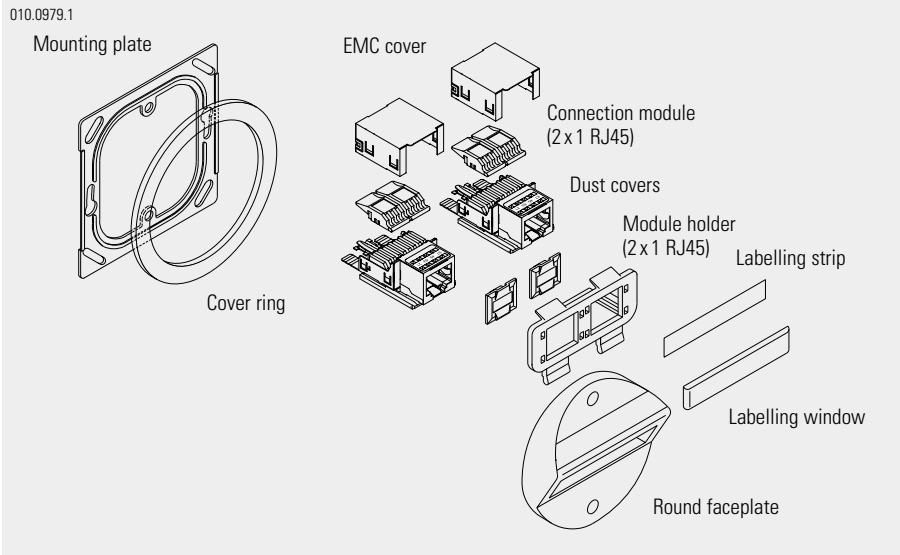
10
R305151

Matching Modules				Matching Accessories		
1 x RJ45/s 1 x RJ45/u (1+2 port only)	1 x RJ45/s Cat. 6 1 x RJ45/u Cat. 6 (1+2 port only)	1 x RJ45 without Mounting Plate (4+1 port only)	FO Adapters (1+2 port only)	Security Products	Splash Protective Line	Accessories
010.2860 	010.2859 	010.2016 	020.0700 	010.0962.2 	010.2128.1 	010.0934
010.2858 	010.2857 	010.2017 	New ISDN module will be available in middle 2005	010.3116 		020.0045
Page 36/37	Page 36/37	Page 40		Page 46		Page 171/173

DM Outlets
 Ø 62.5 mm



These outlets are designed for installation in ducts with metal or plastic covers.
 The outlets are designed for cover frames and duct covers with Ø 64 mm cutouts.
 The mounting plate allows the installation on backboxes and floorboxes with Ø 60 mm mounting track or □ 56 mm mounting distance.
 Recommended depth for backboxes and floorboxes > 70 mm.



Ordering Information

Description

Packing Unit

Part Number



DM Outlet, Ø 62.5 mm, 2 x 1 Port (incl. blind cover for the optional use as 1-port outlet)

10

R925781

Plastic: ASA + PC
 Halogen-free in acc. with DIN/VDE 0472/815
 Colour: white/RAL 9010



DM Outlet, Ø 62.5 mm, 4 x 1 Port

10

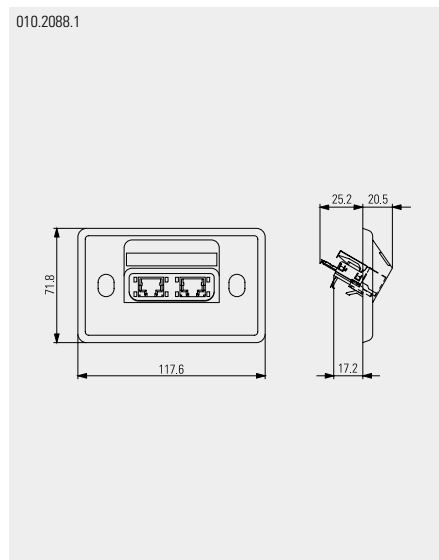
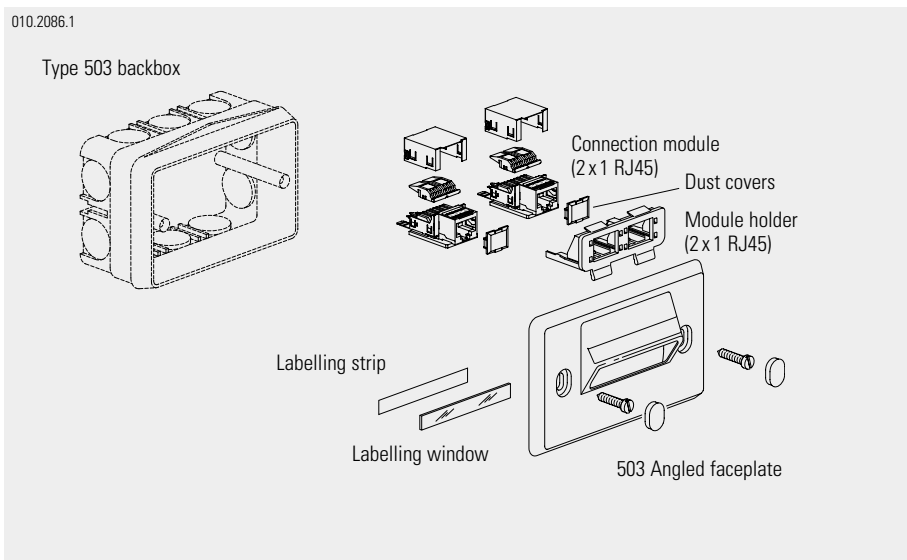
R305012

Plastic: ASA + PC
 Halogen-free in acc. with DIN/VDE 0472/815
 Colour: white/RAL 9010

Matching Modules					Matching Accessories		
1 x RJ45/s 1 x RJ45/u (1+2 port only)	1 x RJ45/s Cat. 6 1 x RJ45/u Cat. 6 (1+2 port only)	1 x RJ45 without Mounting Plate (4+1 port only)	FO Adapters (1+2 port only)	2 x RJ45 ISDN	Security Products	Splash Protective Line	Accessories
010.2860 	010.2859 	010.2016 	020.0700 	010.1677 	010.0962.2 	010.2128.1 	010.0934
010.2858 	010.2857 	010.2017 	010.2914 		010.3116 		020.0045
Page 36/37	Page 36/37	Page 40	Page 46/154	Page 95	Page 171/173	Page 177	Page 64/145



The 503 outlets are designed for flush installation on walls as well as in ducts and service poles.
The mounting plate allows flush installation on backboxes with ↔ 83.5 mm mounting distance.



Ordering Information

Description

Packing Unit

Part Number



503 Outlet, 2 x 1 Port (incl. blind cover for the optional use as 1-port outlet)
Plastic: PC, PC+ABS
Halogen-free in acc. with DIN/VDE 0472/815
Colour: white/RAL 9010

10

R925782



503 Outlet, 4 x 1 Port
For RJ45 Snap-In modules
Colour: white/RAL 9010

10

R304275

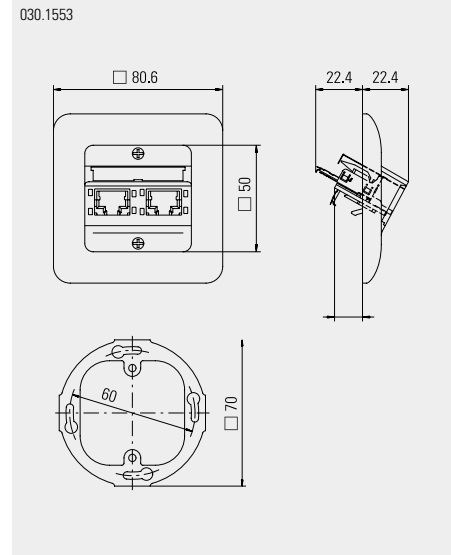
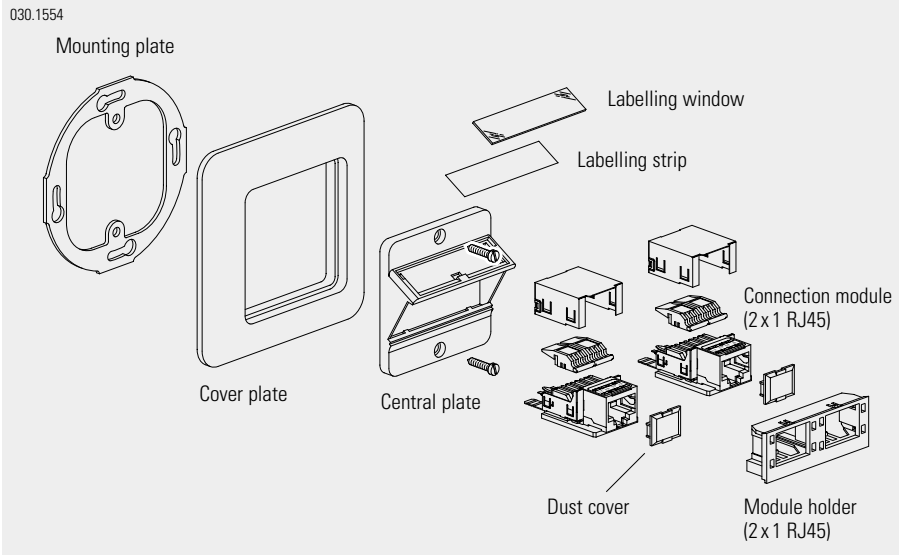
Matching Modules					Matching Accessories		
1 x RJ45/s 1 x RJ45/u (1+2 port only)	1 x RJ45/s Cat. 6 1 x RJ45/u Cat. 6 (1+2 port only)	1 x RJ45 Snap-In Module (4+1 port only)	FO Adapters (1+2 port only)	2 x RJ45 ISDN	Security Products (1+2 port only)	Splash Protective Line (1+2 port only)	Accessories
010.2860 	010.2859 	010.2016.1 	020.0700 	010.1677 	010.0962.2 	010.2128.1 	010.0934
010.2858 	010.2857 	010.2017.1 	010.2914 		010.3116 		020.0045
Page 36/37	Page 36/37	Page 40	Page 46/154	Page 95	Page 171/173	Page 177	Page 64/145

DIN Outlets



The 50 x 50 outlets are ideal for flush installations as well as for ducts, floorboxes and service pole installations. The design of its central plate allows combinations with most German circuit programmes. It is available in the version 80 x 80 too, as overall solution.

Recommended depth for backboxes and floorboxes > 70 mm.



Ordering Information

Description

Packing Unit

Part Number



50 x 50 Outlet, 2 x 1 Port incl. blind cover

Plastic: ASA.
Halogen-free in acc. with DIN/VDE 0472/815.

Colour: white/RAL 9010
Colour: beige/RAL 1013

10
10

R306010
R306008



80 x 80 Outlet, 2 x 1 Port incl. blind cover

Plastic: ASA.
Halogen-free in acc. with DIN/VDE 0472/815.

Colour: white/RAL 9010
Colour: beige/RAL 1013

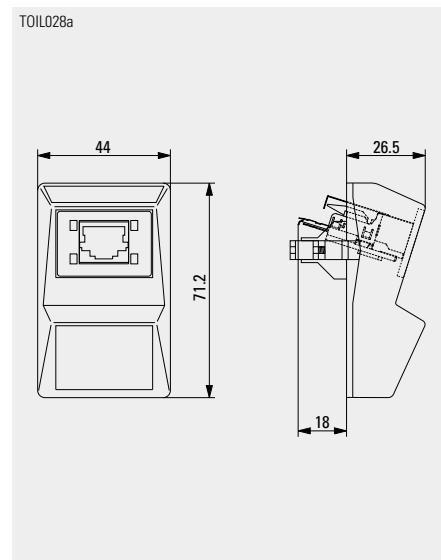
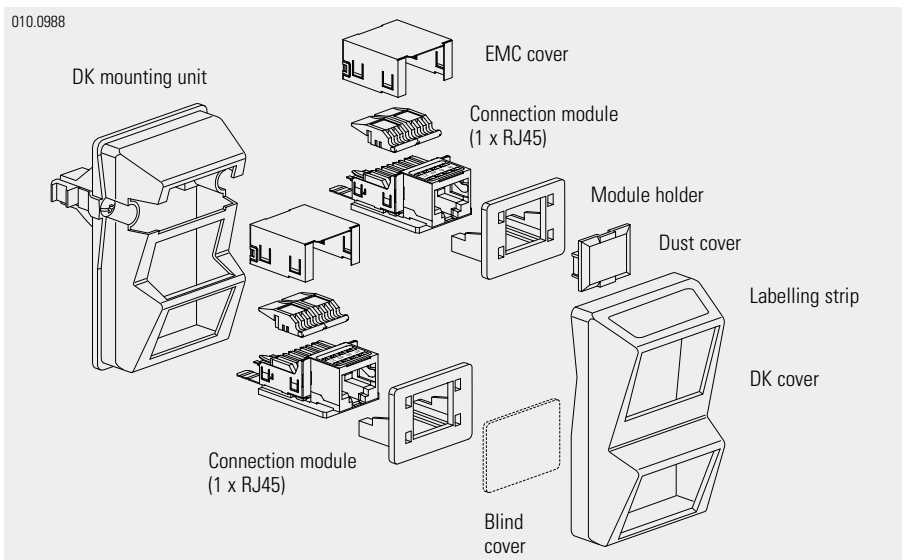
10
10

R306006
R306004

Matching Modules				Matching Accessories		
1 x RJ45/s 1 x RJ45/u	1 x RJ45/s Cat. 6 1 x RJ45/u Cat. 6	FO Adapters		Security Products	Splash Protective Line	Accessories
 010.2860 010.2858	 010.2859 010.2857	 020.0700		 010.0962.2 010.3116	 010.2128.1	 010.0934
Page 36/37	Page 36/37	Page 46		Page 171/173	Page 177	Page 145



DK mounting units are designed for installation on walls or in ducts. The connection module holder is pressed into the matching openings. If no connection module is to be fitted, a blind cover can be inserted instead. A cover frame is also available to ensure smooth appearance. The cover is slipped on after installation of the mounting unit. The snap-on mounting can be used with CLIC'LINE protective housings from the third-party supplier LK. Recommended depth for backboxes and floorboxes > 70 mm.



Ordering Information

Description

Packing Unit

Part Number



DK Mounting Unit, 2 x 1 Port
Plastic: ABS. Colour: white/RAL 9010

10 **R925628**

DK Mounting Unit, 2 x 1 Port
Plastic: ABS. Colour: grey/RAL 7044

10 R925689

Snap-On DK Mounting Unit, 2 x 1 Port
Plastic: PC + ABS. Colour: white/RAL9010

10 R300412



Blind Cover for DK Mounting Unit
Plastic: ABS
Colour: white/RAL 9010

10 R925631

Blind Cover for DK Mounting Unit
Plastic: ABS
Colour : grey/RAL 7044

10 R925653

Matching Modules					Matching Accessories		
1 x RJ45/s 1 x RJ45/u	1 x RJ45/s Cat. 6 1 x RJ45/u Cat. 6	FO Adapters			Security Products	Splash Protective Line	Accessories
010.2860 	010.2859 	020.0700 			010.0962.2 	010.2128.1 	020.1001
010.2858 	010.2857 				010.3116 		
Page 36/37	Page 36/37	Page 46			Page 171/173	Page 177	Page 144

**BS Faceplates
(British Standard)**

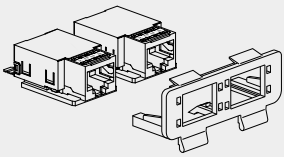
010.1005



BS Faceplates are suitable for flush and surface mounting. Surface mounting requires an additional standard surface mounting box. The connection modules take up a minimum installation depth of only 10.5 mm. The material used is UV resistant in acc. with VO specifications. Fastening screws are included in the kit. Recommended depth for backboxes and floorboxes > 70 mm.

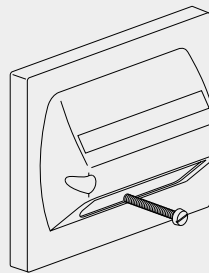
010.2812

Connection modules
(2 x 1 RJ45)



Module holder
(2 x 1 RJ45)

BS faceplate



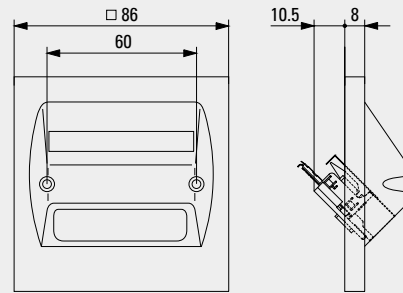
Fastening screws

Labelling strip



Labelling window

TOIL062a



Ordering Information

Description

Packing Unit

Part Number

010.0931



**BS Faceplate, 2 x 1 Port
(incl. blind cover for the optional use
as 1-port outlet)**

10

R925718

Plastic: ABS, PC
Colour: white/RAL 9010

020.0994



BS Faceplate, 4 x 1 Port

10

R925950

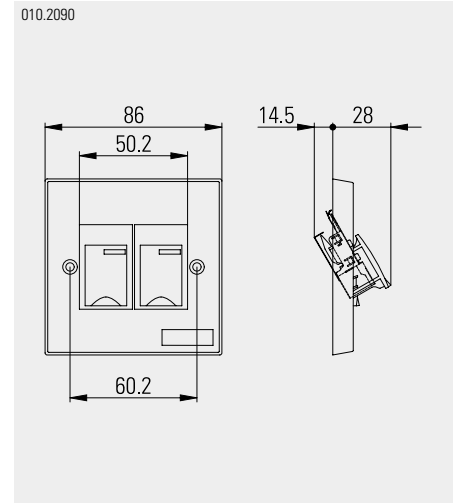
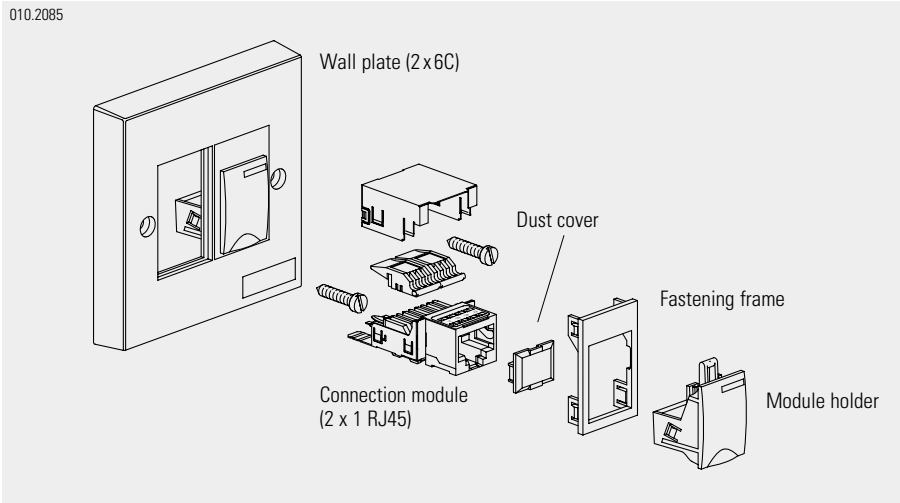
Plastic: ABS, PC
Colour: white/RAL 9010

Matching Modules				Matching Accessories		
1 x RJ45/s 1 x RJ45/u	1 x RJ45/s Cat. 6 1 x RJ45/u Cat. 6	FO Adapters	2 x RJ45 ISDN (1+2 port only)	Security Products	Splash Protective Line	Accessories
 010.2860 010.2858 Page 36/37	 010.2859 010.2857 Page 36/37	 020.0700 010.2914 Page 46/154	 010.1677 Page 95	 010.0962.2 010.3116 Page 171/173	 010.2128.1 Page 177	 010.0934 020.0045 Page 64/145

Flap Jack Module Holders (Type 6C)



The Flap Jack module holders were specifically developed for the R&Mfreenet RJ45 module. The fact that the RJ45 module is placed horizontally into the holder reduces the space required by nearly 50% compared to standard solutions. Another welcome advantage in surface-mounted and also wall-mounted installations is the angled outlet at 45°. Moreover, when closed, the Flap Jack fits the internationally important British standard cutout (6C).



Ordering Information	Description	Packing Unit	Part Number
----------------------	-------------	--------------	-------------



Flap Jack Module holder (Type 6C)

Plastic: PC
Halogen-free in acc. with DIN/VDE 0472/815
Colour: white
Colour: black

20
20

R303155
R305702







Flap Jack Wall Plate, 86 x 86, 2 x 1 Port

Plastic: PC
Halogen-free in acc. with DIN/VDE 0472/815
Colour: white

20

R303154

Matching Modules							
1 x RJ45/s 1 x RJ45/u without mounting plate	1 x RJ45/s Cat. 6 1 x RJ45/u Cat. 6 without mounting plate						
010.2022.1 	010.2016 						
010.2023 	010.2017 						
Page 40	Page 40						

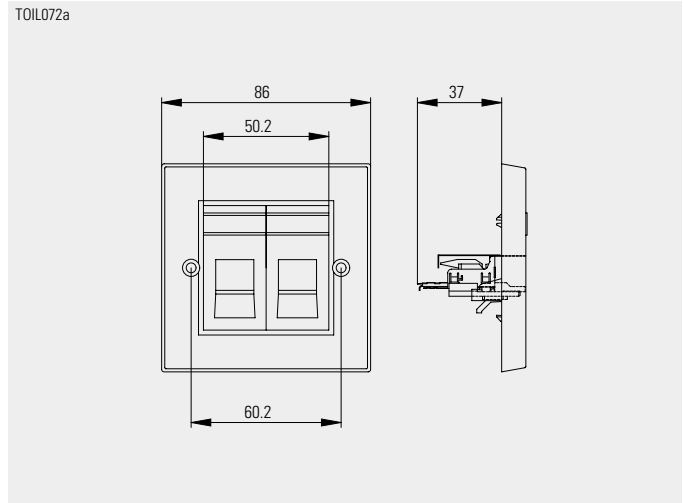
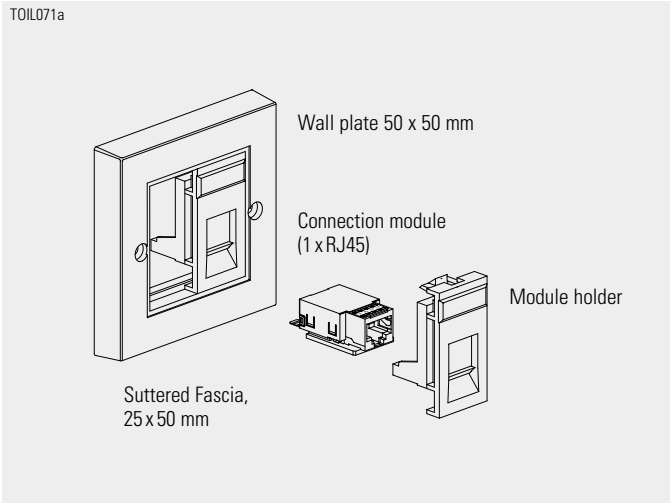
Shuttered Fascia
25 x 50 mm



The self-closing Shuttered Fascia 25 x 50 mm is designed for 1 x RJ45 outlet connection module.

They can be mounted to wall plates and floorbox module holders with 25 x 50 mm, 50 x 50 mm or 50 x 100 mm openings, and used in flush mounting on walls, pedestals as well as metal and plastic ducts (conduits, raceways).

They are also ideal for surface mounting in backboxes and for installation on walls or ducts using the appropriate adapter collar or surface mount box. Recommended depth for backboxes and floorboxes > 70 mm.



Ordering Information

Description

Packing Unit

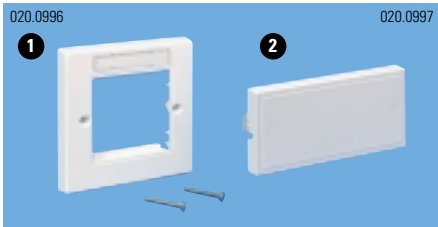
Part Number



Shuttered Fascia, 25 x 50 mm, 1 Port
Plastic: ABS. Certification: C-UL-US
Colour: white/RAL 9010

20

R925842



1 Wallplate Fascia, 50 x 50 mm

20

R925895

2 Blind Cover Fascia, 25 x 50 mm

40

R925897

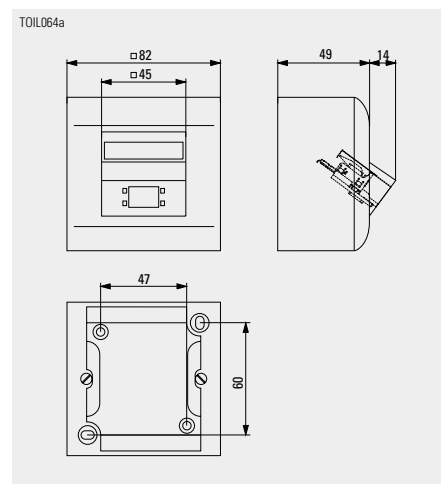
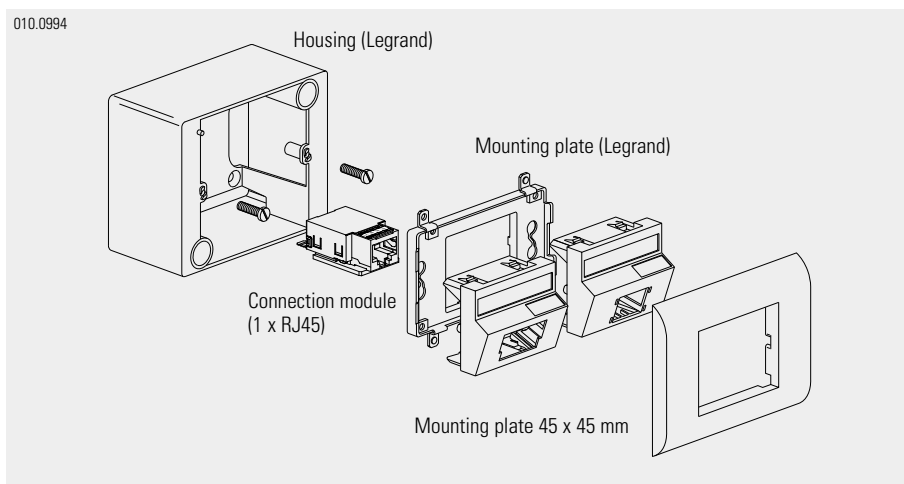
i All products in white/RAL 9010.

Matching Modules							
1 x RJ45/s 1 x RJ45/u	1 x RJ45/s Cat. 6 1 x RJ45/u Cat. 6						
010.2860 	010.2859 						
010.2858 	010.2857 						
Page 36/37	Page 36/37						

Mounting Plates 45 x 45 mm



The Mounting Plates 45 x 45 mm are designed for screw-less flush installation in cover frames and duct covers with 45 x 45 mm cutouts. They can be mounted to walls or ducts (with Legrand components) in wall installations. Recommended depth for backboxes and floorboxes > 70 mm.



Ordering Information

Description

Packing Unit

Part Number



Mounting Plate 45 x 45 mm, 1 Port
Mounting Plate 45 x 45 mm, 2 x 1 Port
 Plastic: ABS
 Colour: white/RAL 9010

10
10
R925722
R925795



Mounting Plate 45 x 45 mm, 1 Port, dust cover
Mounting Plate 45 x 45 mm, 2 x 1 Port, dust cover
 Plastic: PC, PP
 Colour: white/RAL 9010

10
10
R304313
R304314



Dust Cover Flap, blue
Dust Cover Flap, green
Dust Cover Flap, red
Dust Cover Flap, yellow
 Plastic: PP

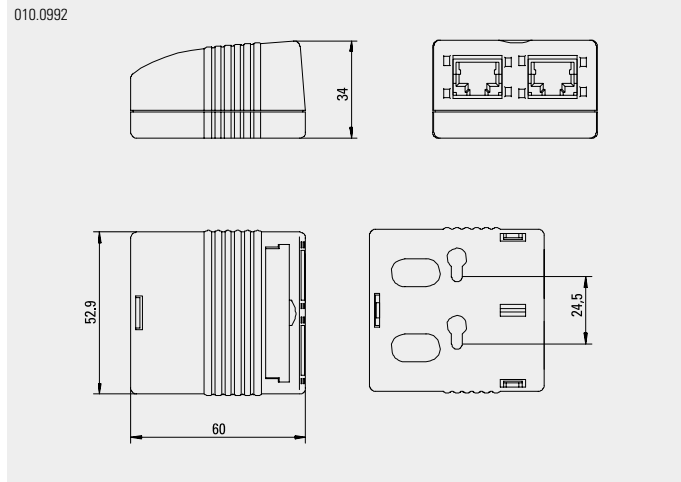
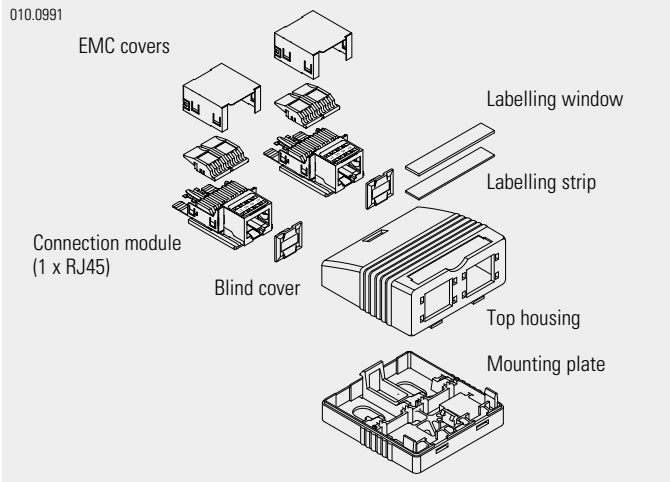
10
10
10
10
R304315
R304316
R304317
R304318

Matching Modules				Matching Accessories		
1 x RJ45/s 1 x RJ45/u	1 x RJ45/s Cat. 6 1 x RJ45/u Cat. 6	FO Adapters (with R925722)	1 x RJ45 ISDN (with R925722)	Security Products (with R925722)	Splash Protective Line (with R925722)	Accessories
010.2860 	010.2859 	020.0700 	020.0077 	010.0962.2 	010.2128.1 	010.0934
010.2858 	010.2857 			010.3116 		020.0045
Page 36/37	Page 36/37	Page 46	Page 95	Page 171/173	Page 177	Page 64/145

Mini Surface Box



The compact Mini Surface Box allows adaptation to present and future installations.
The two-part design consists of a self-locking housing and a base unit. Cable entry is possible from below or from rear with knock-out section.



Ordering Information

Description

Packing Unit

Part Number



Mini Surface Box, 2 x 1 Port
(Incl. blind cover for the optional use as 1-port outlet)
Plastic: ASA + PC
Colour: white/RAL 9010

10

R925728



Mini Surface Box, 1 Port
Colour: cream/RAL 9001

1

R303901



Mini Surface Box, RJ11, 4 Pole, 1 Port
Incl. RJ11 module
Colour: cream/RAL 9001

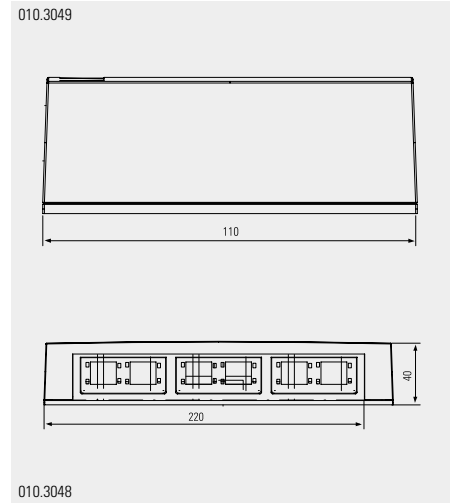
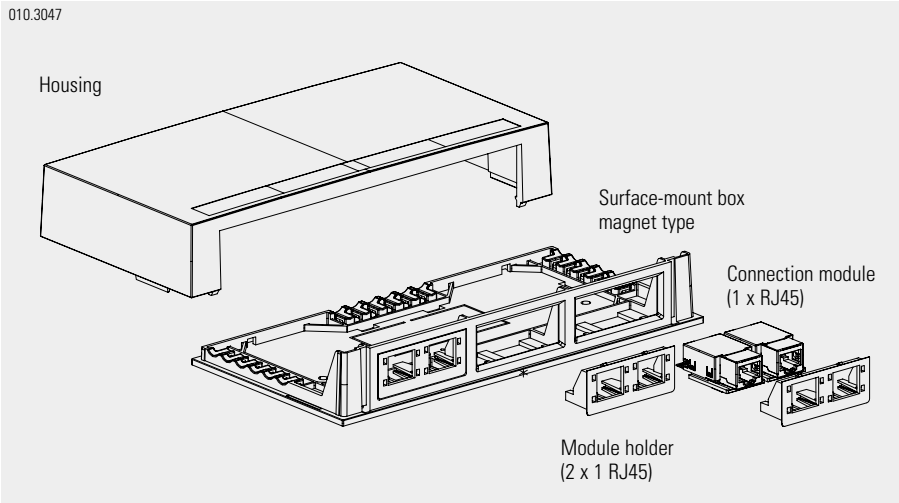
1

R303903

Matching Modules				Matching Accessories		
1 x RJ45/s (2 x 1 port only)	1 x RJ45/s Cat. 6 (2 x 1 port only)	1 x RJ45/u	1 x RJ45/u Cat. 6	Security Products (2 x 1 port only)	Splash Protective Line (2 x 1 port only)	Accessories (2 x 1 port only)
010.2860 	010.2859 	010.2858 	010.2857 	010.0962.2 	010.2128.1 	010.0934
Page 36	Page 36	Page 37	Page 37	010.2852 		020.0045
				Page 171/173	Page 177	Page 64/145



The 6 x 1 Port Compact Box is designed for surface installation on any material, and is fastened with screws. The WM boxes are ideal for a wide range of applications. R&M has developed the new 6 x 1 port box in response to the new requirements. The new dimensions of the box allow the use of even Cat.7 installation cables. They can even be equipped with FO applications. Hinged dust covers can be used for colour coding. The housing complies with VO specifications.



Ordering Information

Description

Packing Unit

Part Number



Compact Box 6 x 1 Port
 Plastic: ABS, PC
 Colour: white/RAL 9010

1

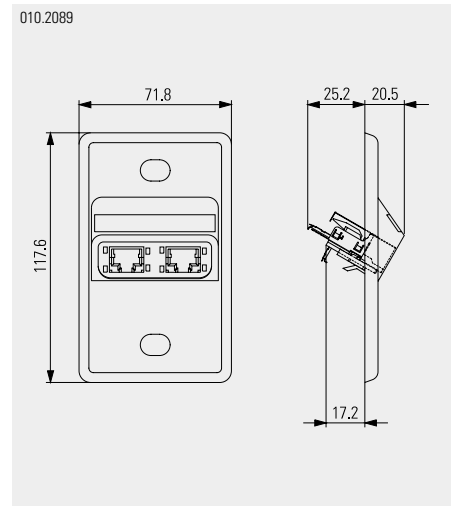
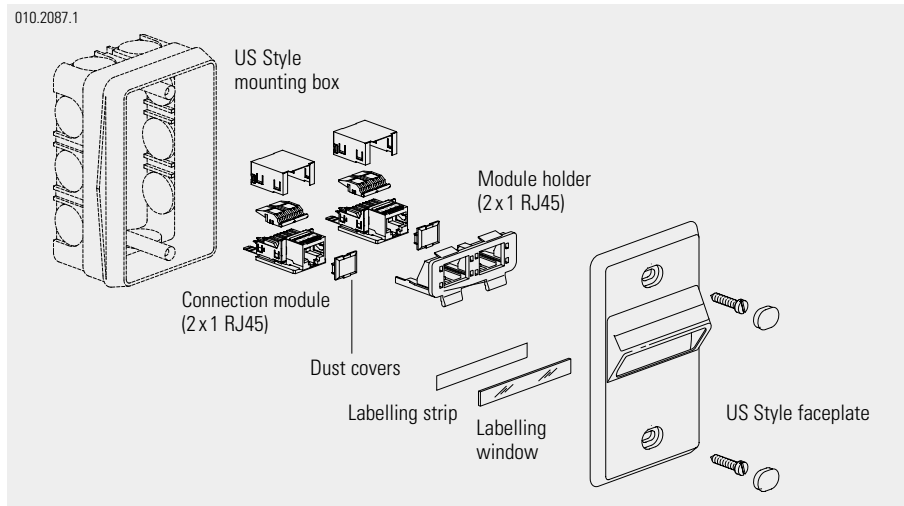
R308971

Matching Modules				Matching Accessories		
1 x RJ45/s 1 x RJ45/u	1 x RJ45/s Cat. 6 1 x RJ45/u Cat. 6	Coupler Module Cat. 5e, s	FO Adapters (1+2 port only)	Universal Cover Plate	Security Products	
010.2860 	010.2859 	010.2411 	020.0700 	010.0934 	010.0962.2 	
010.2858 	010.2857 		010.2914 		010.3116 	
Page 36/37	Page 36/37	Page 41	Page 48	Page 145	Page 169	

US Style Faceplates 1 and 2 x 1 Port



US Style Faceplates are designed for flush mounting on walls as well as for installation in ducts with metal or plastic covers.
For surface mounting on walls and installation in ducts the US style mounting box can be used (see page 137).
The presented faceplates allow flush installation on backboxes with ↔ 83.5 mm (3.29 inch) mounting distance. They can be mounted on US standard backboxes with min. ↔ 50 mm (1.97 inch) mounting distance or with sub-frames.
Recommended depth for backboxes and floorboxes > 70 mm.



Ordering Information

Description

Packing Unit





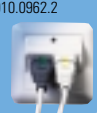
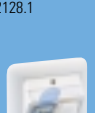
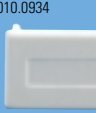





Part Number



**US Style Faceplate, 2 x 1 Port
(incl. blind cover for the optional use
as 1-port outlet)**
Plastic: PC, PC + ABS
Certifications: C-UL-US
Colour: white/RAL 9010

10

R925758

Matching Modules				Matching Accessories		
1 x RJ45/s 1 x RJ45/u	1 x RJ45/s Cat. 6 1 x RJ45/u Cat. 6	FO Adapters	2 x RJ45 ISDN	Security Products	Splash Protective Line	Accessories
010.2860 	010.2859 	020.0700 	010.1677 	010.0962.2 	010.2128.1 	010.0934 
010.2858 	010.2857 	010.2914 		010.3116 		020.0045 
Page 36/37	Page 36/37	Page 46/154	Page 95	Page 171/173	Page 177	Page 64/145

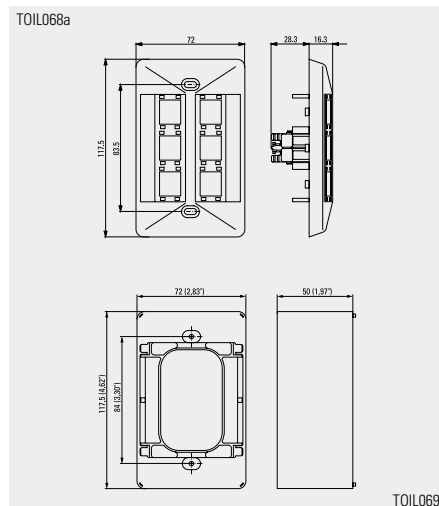
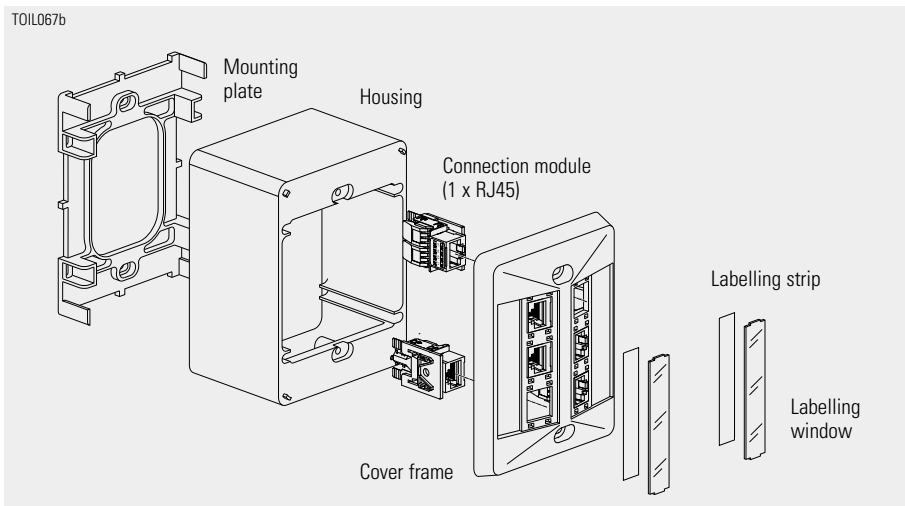
US Style Faceplates 6 x 1 Port



US Style Faceplates are designed for flush mounting on walls as well as for installation in ducts with metal or plastic covers. These faceplates can be mounted on US standard backboxes.

For surface mounting on walls and installation in ducts the backbox for the US style mounting box can be used.

The high-impact VO plastic box conforms to C-UL-US requirements.



Ordering Information

Description

Packing Unit

Part Number



US Style Faceplate, 6 x 1 Port

Plastic: PC, glass-fiber reinforced
Halogen-free: in acc. with DIN/VDE 0472/815
Colour: white/RAL 9010

10

R925822



Mounting Box for US Style Faceplate

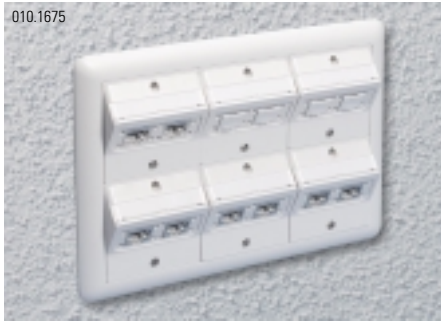
Plastic: PC, glass-fiber reinforced
Halogen-free: in acc. with DIN/VDE 0472/815
Colour: white/RAL 9010

10

R925824

Matching Modules					Matching Accessories		
1 x RJ45/s 1 x RJ45/u	1 x RJ45/s Cat. 6 1 x RJ45/u Cat. 6	FO Adapters			Security Products	Splash Protective Line	Accessories
010.2860 	010.2859 	020.0700 			010.0962.2 	010.2128.1 	010.0934
010.2858 	010.2857 				010.3116 		020.0045
Page 36/37	Page 36/37	Page 46			Page 171/173	Page 177	Page 64/145

Outlets
12 x 1 Port (MUTO)



These outlets are designed for surface installation next to ducts or for flush-mounted installations.

They allow data and telephone support of working groups in open-plan offices. They are also ideal for SOHO applications e.g. as small central distributor between floor distributor and work places.

Ordering Information

Description

Packing Unit

Part Number



FM Outlet 12 x 1 Port
Plastic: ASA + PC
Halogen-free: in acc. with DIN/VDE 0472/815
Colour: white/RAL 9010

1









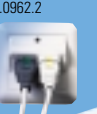
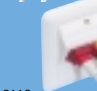
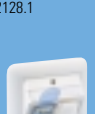


R302387



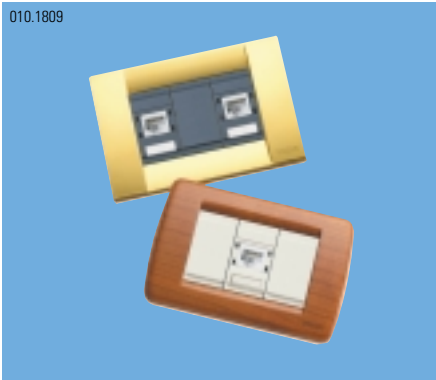
WM Outlet 12 x 1 Port
Plastic: ASA + PC
Halogen-free: in acc. with DIN/VDE 0472/815
WM housing: lacquered wood
Colour: white/RAL 9010

1

R302388

Matching Modules				Matching Accessories		
1 x RJ45/s 1 x RJ45/u	1 x RJ45/s Cat. 6 1 x RJ45/u Cat. 6	FO Adapters	1 x RJ45 ISDN 2 x RJ45 ISDN	Security Products	Splash Protective Line	Accessories
010.2860  010.2858 	010.2859  010.2857 	020.0700  010.2914 	020.0077  010.1677 	010.0962.2  010.3116 	010.2128.1 	010.0934  020.0045 
Page 36/37	Page 36/37	Page 46/154	Page 95	Page 171/173	Page 177	Page 64/145

010.1809



VIMAR

VIMAR is a specialised manufacturer of cabling components for both the private and public sector. With a staff of more than 750 people the company asserts an annual turnover of more than 120 million Euro (2000). Their IDEA product family of exchangeable modular insert elements offers over 200 functions and is continually expanding commercially (offices, hotels, hospitals, etc.).

VIMAR and R&M are jointly working on developing computer networks with distribution point terminals. A special adapter by VIMAR enables the installation of R&M connectors in IDEA-capable frames, in any number and layout required.

Contact:

VIMAR S.p.A.
Viale Vicenza 14
ITA-36063 Marostica VI
Phone: 0039/0424 488 600
Fax: 0039/0424 488 188
Web: <http://www.vimar.it>

010.1629.1



Cimabox

Since its founding in 1989, Cimabox has been focussing on the manufacturing of products for work place cabling.

Their product assortment ranges from surface mounted outlets, flush mounted assembly units (underfloor systems) to floorboxes and power poles, which enable the customer to adjust the connection options entirely to the building's character.

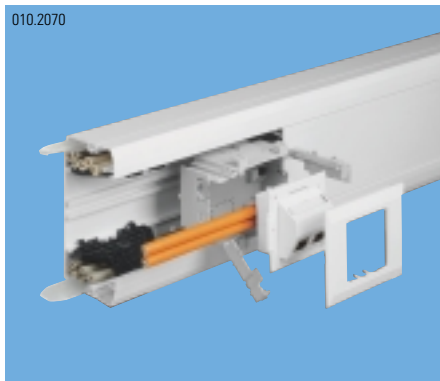
The materials used (PC-ABS, flame retardant and 100% halogen-free) as well as the operational procedures, in accordance with ISO 9001, guarantee durability and top quality of the products.

Contact:

Cimabox
C/Carredera n°1, esquina C/Moli
Poligono Industrial Gran Roca
ESP-08107 Martorelles-Barcelona
Phone: 0034 93 345 33 50
Fax: 0034 93 345 36 08
Web: <http://www.cimabox.com>
E-mail: cimabox@cimabox.com

Third-Party Suppliers matching R&Mfreenet Connection Modules

010.2070



Tehalit

Hager and Tehalit are internationally acclaimed suppliers of future-oriented system solutions for electrical installations. Their systems fulfil the highest quality and manufacturing requirements for their flexibility and functionality, as well as for their time-saving mounting. Innovative technology, top-range material and modern design all blend into the development of new products, which have a short time to market – another advantage for the customer. This means that planners, architects and installers of electronic installations are effectively supported in implementing large projects and surmounting complex tasks.

The telecommunications connections comply with the equipment of the current manufacturers and standards, and the respective outlets, fitting R&Mfreenet's Cat.5e and 6 connection modules, ensure future-proof computer connections.

Contact:

Hager Tehalit Vertriebs GmbH
Zum Gunterstal
DEU-66440 Blieskastel
Phone: 0049/06842 945-0
Fax: 0049/06842 945-5666
Web: <http://www.tehalit.com>
E-mail: info@hager.de

010.1813



Busch-Jaeger Elektro GmbH

Busch-Jaeger looks back on a history of over 100 years, and is the market leader of electronic installations in Germany. They produce in Germany as well as abroad. The company is part of the ABB Group with a staff of 1250 in two German locations.

Their assortment ranges from complete electric installation programmes, i.e. switches, sockets, special plug devices, series assembly equipment, dimmers and movement detectors to high-tech building system engineering, e.g. their Busch-Installation-Bus® EIB and Busch Powernet®. They stand for optimisation of energy and convenient central automatic control of current consumption in the private or industrial area.

Their wide selection comprises 6000 electric installation products.

Contact:

Busch-Jaeger Elektro GmbH
P.O. Box
DEU-58505 Lüdenscheid
Web: <http://www.Busch-Jaeger.de>

Central Sales Service:

Phone: 0049/0180-5 66 99 00
Fax: 0049/0180-5 66 99 09

010.1711



PEHA

For 75 years, PEHA Paul Hochköpper GmbH & Co. KG from Germany has been an important manufacturer of top-range electric installations equipment and systems. PEHA is always focused on keeping abreast of the fast developments in the area of telecommunications engineering.

Consequently, PEHA offers matching covers to nearly all present small plug connectors of various systems and suppliers, e.g. to the current PEHA flush-mounting switch programmes, Standard, DIALOG and AURA. For the double outlet modules by R&M a special cover has been developed (see picture). Additionally, a version with a high, hinged lid is available, which protects both jack and plug against dust and mechanical strain.

Contact:

Paul Hochköpper GmbH & Co. KG
Gartenstrasse 49
DEU-58511 Lüdenscheid
Phone: 0049/02351 185-0
Fax: 0049/02351 276 66
Web: <http://www.peha.de>

010.1810



JUNG

For more than 90 years, JUNG has been a synonym for progress and success in electric installations. Technical innovations, top quality standard and exacting design are the driving force of the continuous further development of their electrical installations equipment and systems.

Of course, data communications technique plays a major role in JUNG programmes. Planners and architect want to work with uniform and consistent electric installations, meaning the design of switches and outlets ranges. Here, JUNG provides solutions for all surface-mounted and flush-mounted series (incl. water-proof solutions), for vertical as well as horizontal connections. Also included in JUNG programmes are various covers for Cat. 3 up to Cat. 6.

Contact:

ALBRECHT JUNG GMBH & CO. KG
Volmenstrasse 1
DEU-58579 Schalksmühle
Phone: 0049/02355 806-168 (Sales Support)
Fax: 0049/02355 806-189
Web: <http://www.jung.de>
E-mail: jung-info@t-online.de

Third-Party Suppliers matching R&Mfreenet Connection Modules

010.2092



Berker

The Gebr. Berker GmbH & Co. KG was founded in 1919 and is one of the leading manufacturers of high-performance electric installation systems. Berker's switch ranges with integral house electronics, the intelligent building services management system INSTABUS EIB or the FUNKBUS SYSTEM all offer fascinating solutions. From accentuated lighting to automatic shutter control, integration of heating control and building security, up to modern communications connection techniques, Berker's switch programmes allow most favourable and balanced interior design to the very last detail.

Contact:

Gebr. Berker GmbH & Co. KG
Klagebach 38
DEU-58579 Schalksmühle
Phone: 0049 (0)2355 905 610
Fax: 0049(0)2355 905 606
Web: <http://www.berker.de>
E-mail: info@berker.de

010.2844



ABB s.r.o., Elektro-Praga

The company ABB s.r.o., Elektro-Praga Jablonec nad Nisou can look back this year on the 135th anniversary of its foundation and the 10-year existence of the ABB brand on the Czech market. The company is part of the group of ABB electrical engineering companies in the Czech Republic and its products excel thanks to their high quality, technical advancement, and modern design. The core programme of ABB s.r.o., Elektro-Praga consists of products for indoor wiring, particularly switches and sockets that are assembled in the modern designs of the Classic, Tango, Element®, Time®, solo®, impuls, alpha nea®, and alpha exclusive® ranges. These ranges of newly developed designs accommodate the style and possibilities of all end users. The appliances can be used in a variety of interiors and surroundings, as well as in multiple frames, horizontal or upright. This range is well complemented by electronic instruments that both heighten comfort and contribute to energy savings. R&M Snap-In connection modules fit into data outlets of most product ranges. Recently an outlet for regular connection module was developed for Tango design with R&M Smartholes included to allow application of broad variety of matching accessories.

Contact:

ABB s.r.o., Elektro-Praga
Resslova 3
466 02 Jablonec nad Nisou
Czech Republic
Phone: 00420 483 364 111
Fax: 00420 483 312 059
Web: <http://www.abb-epj.cz>
E-mail: epj.jablonec@cz.abb.com

010.1720



Gira

Gira was established in 1905 and employs 700 staff today. They specialise in electronic installations equipment – from light switches, automatic switches, guards, Gira radio alarm systems, over control systems for blinds to data technology and telecommunications connections.

Furthermore, the overall top-quality and stringent standard in all sectors underlies the company's qualification for the quality management systems (DQS) certification in acc. with DIN ISO 9001.

Contact:

Gira
Giersiepen GmbH & Co. KG
Correspondence to:
Postfach 12 20
DEU-42461 Radevormwald

Location:
Industriegebiet Mermbach
Dahlienstrasse
DEU-42477 Radevormwald
Phone: 0049 (0) 21 95 602-0
Fax: 0049 (0) 21 95 602-339
Web: <http://www.gira.de>
E-Mail: info@gira.de

010.2071



Merten


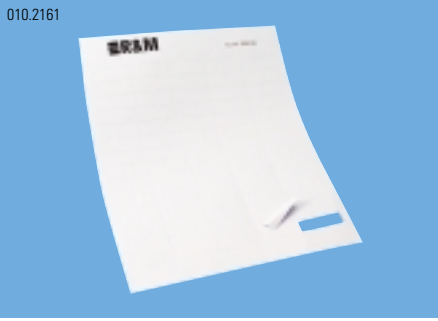
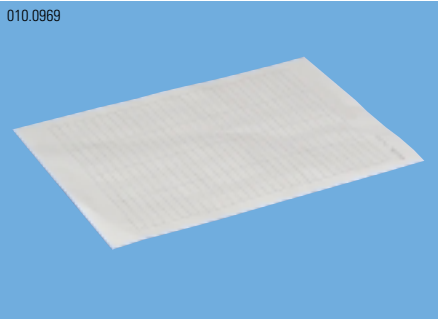

Located in Wiehl, Oberbergen, near Cologne, Merten is one of the leading trademark manufacturers of electro-technical installation components, electronic products and components for the building services management system INSTABUS EIB. Ever since their foundation in 1906, the driving forces were innovation, quality and design.

As early as 1961 the company developed the first switch based on optical design with a screw-free cover and wide rocker, initiating the trend towards large surface switches. They come in pastel colours, in strong bright colours or high-grade steel – the switch programmes by Merten keep on proving that any individual interior style can be supported in form, colour and function. Since no compromise will do when it comes to quality, functionality, and security, a special programme for each field of application has been developed. Consequently, the product range offers solutions for private cabling, industrial needs, agriculture, game halls or scientific laboratories, including water-proof and even weather-proof and high-impact switch programmes for inside and outside plant applications.




Contact:

Merten GmbH & Co. KG
Postfach 10 06 53
DEU-51606 Gummersbach
Phone: 0049 (0)2261 702-01
Fax: 0049 (0)2261 702-284
Web: <http://www.merten.de>
E-mail: info@merten.de

Accessories

Ordering Information	Description	Packing Unit	Part Number
 <p>020.1001</p>	<p>Labelling Sheet DK Adhesive labelling strips with outlet logo (unlettered) for labelling 58 Mounting Units DK.</p>	10	R925629
 <p>010.2161</p>	<p>Labelling Sheet 45 x 45 Mounting Plate Perforated labelling strips (unlettered) for labelling 85 45 x 45 Mounting Plates (R304313 + R304314).</p>	10	R303786
 <p>010.0969</p>	<p>Labelling Sheet Mini Surface Mount Box Perforated labelling strips (unlettered) for labelling 120 Mini Surface Boxes. – 50 x 50 Outlet 2 x 1 Port – 80 x 80 Outlet 2 x 1 Port – 4 x 1 Port Outlet</p>	10	R925759
 <p>010.1371</p>	<p>Labelling Sheet, US Style, 6 Port Perforated labelling strips (without logo, unlettered) for labelling 24 US Style Faceplates 6 x 1 Port.</p>	10	R300318

i A free MS Word template for fast and professional patch panel labelling is available on our website (www.rdm.com).

Ordering Information	Description	Packing Unit	Part Number
<p>010.0932</p> 	<p>Labelling Sheet for Outlets 84 perforated labelling strips without logo (unlettered) for labelling the following outlets: – FM Outlets 88 x 88 mm – FM Global Outlets 88 x 88 mm – WM Outlets 80 x 80 mm – DM Outlets 80 x 86 mm, CH – DM Outlets 80 x 86 mm – 503 Outlets – BS Faceplates – US Style Faceplates 1 Port and 2 x 1 Port</p>	100	R925702
<p>010.0934</p> 	<p>Universal Blind Cover, white For covering one unused empty connection module space. To snap in instead of a keying system. C-UL-US certified. Colour: white/RAL9010</p>	100	R925719
<p>090.2059</p> 	<p>Adapter No 1</p>	20	R310694

i A free MS Word template for fast and professional patch panel labelling is available on our website (www.rdm.com).

List for module holder and faceplates from Third-Party Suppliers

Supplier	For Cat. 5e modules			For Cat. 6 modules		
	unshielded 1 x RJ45	2 x RJ45	shielded 1 x RJ45	unshielded 1 x RJ45	shielded 2 x 1 RJ45	shielded 2 x 1 RJ45
VIMAR S.p.A. www.vimar.it VIMAR S.p.A. Viale Vicerza 14 ITA-38063 Morastica VI Tel. 0039/0424.488.600	16365.C 16365.C.B Others			16365.C 16365.C.B		
Cimabox. www.cimabox.com Cimabox. C/Carretera nº1, esquina C/Moli Others ESP-08107 Martorelles-Barcelona Tel. 0034.93.345.23.30	61 IM054					
Tehalit www.tehalit.com Hager Tehalit GmbH Zum Günerstal DEU-66440 Bleskastel Tel. +49 6842 945 0	G4020.9001 G4020.9010 G4020.ANTH G3404.9001 G3404.9010 G3404.7035	G4020.9001 G4020.9010 G4020.ANTH G3404.9001 G3404.9010 G3404.7035		G4020.9001 G4020.9010 G4020.ANTH G3404.9001 G3404.9010 G3404.7035		G4020.9001 G4020.9010 G4020.ANTH G3404.9001 G3404.9010 G3404.7035
Busch-Jaeger GmbH. www.busch-jaeger.de Busch-Jaeger GmbH P.O.BOX DEU-58505 Lüdenscheid Tel. +49 180 566 99 00	1801.EB-10/16 1801.-214 Reflex SI 1801-20 Alpha nea 1801-212 Busch Duro 2000 1801-225 Alpha exclusive	1801.EB-10/16 1801.-214 Reflex SI 1801-20 Alpha nea 1801-212 Busch Duro 2000 1801-226 Alpha exclusive				
PEHA www.peha.de P. Hochkopper GmbH. Gartenstrasse 49 DEU-58511 Lüdenscheid Tel. +49 2351 105 0	80.610RMw white 80.610RM Aw arctic 80.610.02 RM pure white 95.610.03 RM white 95.610.02 RM pure white 95.610.15 RM effect grey 95.610.19 RM deep black 95.610.36 RM rubinred 95.610.49 RM cobalt blue 95.610.27 RM grey brown	80.610RMw white 80.610RM Aw arctic 80.610.02 RM pure white 95.610.03 RM white 95.610.02 RM pure white 95.610.15 RM effect grey 95.610.19 RM deep black 95.610.36 RM rubinred 95.610.49 RM cobalt blue 95.610.27 RM grey brown				
JUNG www.jung.de Albrecht Jung GmbH. Volmestrasse 1 DEU-58579 Schalksmühle Tel. +49 2355 806 168	54-1ACS CD500 AP800 ST550 SL500 LS990	54-2ACS 569-21ACS CD-569-21 ACS WW/GR/LG CD500 AP800 ST550 SL500 LS990				

Supplier	For Cat. 5e modules				For Cat. 6 modules					
	unshielded 1 x RJ45	2 x RJ45	shielded 1 x RJ45	2 x 1 RJ45	unshielded 1 x RJ45	2 x RJ45	shielded 2 x 1 RJ45	1 x RJ45	2 x RJ45	2 x 1 RJ45
Berker www.berker.de Gabr. Berker GmbH, Klaigebach 38 DEU-58579 Schalksmühle Tel. +49 2395 905 610	1472 02 / 09 1533 19 09 1533 16 06 1533 14 04	1511 19 09(MH Black) 1511 16 06 1511 14 04 1461 02 white 1461 09 polar white 1461 01 brown 1461 11 light brown 1461 04 stainless steel 1461 05 deep black 1461 30 grey 1461 56 shine gold 1461 59 platinum	1472 02 / 09 1533 19 09 1533 16 06 1533 14 04	1472 02 / 09 1533 19 09 1533 16 06 1533 14 04	1472 02 / 09 1533 19 09 1533 16 06 1533 14 04	1511 19 09 1511 16 06 1511 14 04 1461 02 white 1461 09 polar white 1461 01 brown 1461 11 light brown 1461 04 stainless steel 1461 05 deep black 1461 30 grey 1461 56 shine gold 1461 59 platinum	1472 02 / 09 1533 19 09 1533 16 06 1533 14 04	1472 02 / 09 1533 19 09 1533 16 06 1533 14 04	1511 19 09 1511 16 06 1511 14 04 1461 02 white 1461 09 polar white 1461 01 brown 1461 11 light brown 1461 04 stainless steel 1461 05 deep black 1461 30 grey 1461 56 shine gold 1461 59 platinum	1472 02 / 09 1533 19 09 1533 16 06 1533 14 04
GIRA Gierstepen GmbH Dahlienstrasse DEU-42477 Radevormwald Tel. +49 2196 602 0 Gira www.gira.de	0047 0080079 00 0870 20 0870 27 pure white 0870 28 anthracite 0870 26 aluminium 0870 40 pure white 0870 42 grey 0870 43 red 0870 44 yellow 0870 45 green 0870 46 blue 0870 47 black 0870 49 dark grey 0870 54 oyster white 0870 55 pure white 0870 56 brown metallic 0870 58 pearl metallic 0870 61 brown metallic 0870 63 grey metallic	0047 0080079 00 0870 20 0870 27 pure white 0870 28 anthracite 0870 26 aluminium 0870 40 pure white 0870 42 grey 0870 43 red 0870 44 yellow 0870 45 green 0870 46 blue 0870 47 black 0870 49 dark grey 0870 54 oyster white 0870 55 pure white 0870 56 brown metallic 0870 58 pearl metallic 0870 61 brown metallic 0870 63 grey metallic	0047 0080079 00 0870 20 0870 27 pure white 0870 28 anthracite 0870 26 aluminium 0870 40 pure white 0870 42 grey 0870 43 red 0870 44 yellow 0870 45 green 0870 46 blue 0870 47 black 0870 49 dark grey 0870 54 oyster white 0870 55 pure white 0870 56 brown metallic 0870 58 pearl metallic 0870 61 brown metallic 0870 63 grey metallic	0047 0080079 00 0870 20 0870 27 pure white 0870 28 anthracite 0870 26 aluminium 0870 40 pure white 0870 42 grey 0870 43 red 0870 44 yellow 0870 45 green 0870 46 blue 0870 47 black 0870 49 dark grey 0870 54 oyster white 0870 55 pure white 0870 56 brown metallic 0870 58 pearl metallic 0870 61 brown metallic 0870 63 grey metallic	0047 0080079 00 0870 20 0870 27 pure white 0870 28 anthracite 0870 26 aluminium 0870 40 pure white 0870 42 grey 0870 43 red 0870 44 yellow 0870 45 green 0870 46 blue 0870 47 black 0870 49 dark grey 0870 54 oyster white 0870 55 pure white 0870 56 brown metallic 0870 58 pearl metallic 0870 61 brown metallic 0870 63 grey metallic	0047 0080079 00 0870 20 0870 27 pure white 0870 28 anthracite 0870 26 aluminium 0870 40 pure white 0870 42 grey 0870 43 red 0870 44 yellow 0870 45 green 0870 46 blue 0870 47 black 0870 49 dark grey 0870 54 oyster white 0870 55 pure white 0870 56 brown metallic 0870 58 pearl metallic 0870 61 brown metallic 0870 63 grey metallic	0047 0080079 00 0870 20 0870 27 pure white 0870 28 anthracite 0870 26 aluminium 0870 40 pure white 0870 42 grey 0870 43 red 0870 44 yellow 0870 45 green 0870 46 blue 0870 47 black 0870 49 dark grey 0870 54 oyster white 0870 55 pure white 0870 56 brown metallic 0870 58 pearl metallic 0870 61 brown metallic 0870 63 grey metallic	0047 0080079 00 0870 20 0870 27 pure white 0870 28 anthracite 0870 26 aluminium 0870 40 pure white 0870 42 grey 0870 43 red 0870 44 yellow 0870 45 green 0870 46 blue 0870 47 black 0870 49 dark grey 0870 54 oyster white 0870 55 pure white 0870 56 brown metallic 0870 58 pearl metallic 0870 61 brown metallic 0870 63 grey metallic	0047 0080079 00 0870 20 0870 27 pure white 0870 28 anthracite 0870 26 aluminium 0870 40 pure white 0870 42 grey 0870 43 red 0870 44 yellow 0870 45 green 0870 46 blue 0870 47 black 0870 49 dark grey 0870 54 oyster white 0870 55 pure white 0870 56 brown metallic 0870 58 pearl metallic 0870 61 brown metallic 0870 63 grey metallic	
Merten www.merten.de Merten GmbH, Postfach 100653 DEU-51606 Gummersbach Tel. +49 2261 702 01	4643,84 System M System Fläche(Artec, Trancent, Antik)	4643,84 System M System Fläche(Artec, Trancent, Antik)	4643,84 System M System Fläche(Artec, Trancent, Antik)	4643,84 System M System Fläche(Artec, Trancent, Antik)	4643,84 System M System Fläche(Artec, Trancent, Antik)	4643,84 System M System Fläche(Artec, Trancent, Antik)	4643,84 System M System Fläche(Artec, Trancent, Antik)	4643,84 System M System Fläche(Artec, Trancent, Antik)	4643,84 System M System Fläche(Artec, Trancent, Antik)	4643,84 System M System Fläche(Artec, Trancent, Antik)
Legrand Schweiz	7758,77 PRO 21™ 7757 73	7758,77 PRO 21™ 7757 73	7758,77 PRO 21™ 7757 73	7758,77 PRO 21™ 7757 73	7758,77 PRO 21™ 7757 73	7758,77 PRO 21™ 7757 73	7758,77 PRO 21™ 7757 73	7758,77 PRO 21™ 7757 73	7758,77 PRO 21™ 7757 73	7758,77 PRO 21™ 7757 73
Schneider Unicacsystem	U9-402,18	U9-402,18	U9-402,18	U9-402,18	U9-402,18	U9-402,18	U9-402,18	U9-402,18	U9-402,18	U9-402,18
LK	108K66710R 108K66820R 108K66810R 108K66800R	108K66830R 108K66820R 108K66810R 108K66800R	108K66710R 108K66700R	108K66830R 108K66820R 108K66810R 108K66800R	108K66830R 108K66820R 108K66810R 108K66800R	108K66830R 108K66820R 108K66810R 108K66800R	108K66830R 108K66820R 108K66810R 108K66800R	108K66830R 108K66820R 108K66810R 108K66800R	108K66830R 108K66820R 108K66810R 108K66800R	108K66830R 108K66820R 108K66810R 108K66800R
MM Dataelectric Spain http://www.immurecia.es/mming/product.htm	AD43 AD17 MD18/x	AD43 AD17 MD18/x	AD43 AD17 MD18/x	AD43 AD17 MD18/x	AD43 AD17 MD18/x	AD43 AD17 MD18/x	AD43 AD17 MD18/x	AD43 AD17 MD18/x	AD43 AD17 MD18/x	AD43 AD17 MD18/x
ABB s.r.o., Elektro-Praga Rešovna 3 466 02 Jablonec nad Nisou Tschscheische Republik Tel. +420 483 364 111 Fax. +420 483 312 059 E-mail: epj.jablonec@cz.abb.com Internet: http://www.atbb-epj.cz	5014A-B1017 5014E-B01017 5014E-B01018	5014A-B1017 5014E-B01017 5014E-B01018	5014A-B1017 5014E-B01017 5014E-B01018	5014A-B1017 5014E-B01017 5014E-B01018	5014A-B1017 5014E-B01017 5014E-B01018	5014A-B1017 5014E-B01017 5014E-B01018	5014A-B1017 5014E-B01017 5014E-B01018	5014A-B1017 5014E-B01017 5014E-B01018	5014A-B1017 5014E-B01017 5014E-B01018	5014A-B1018 5014E-B01018

get **more** 010.2936

State-of-the-art connection technology for all purposes

- Allow the combination of fiber optics and RJ45
- Covering all duct-mounted, wall-mounted, and floorbox solutions
- FTTO is the basis of today's planning standard
- Solutions for a wide range of requirements

@ R&M



Products	Page
1 FO Outlets Duct and Surface Mounted Version	150
2 FO Outlets (Subfloor-Floorbox)	151
3 FO Outlets Accessories	152
4 FO Outlets Module Holders	154

FO Outlets

030.1429



The telecommunications outlets of type duct mounted fiber optic outlet offer a wide range of advantages such as:

- Fiber optic outlet for 4 to 8 fiber terminations
- Snap on holder for various FO adapters
- Angled outlet of 80° for optimum cable and connector relief
- Ideal for pre-terminated as well as field-terminated cables. Also suitable for on-site splicing in combination with the cable reservoir KR and the splice deposit
- In certain conditions the FO Duct Outlet is also suitable for subfloor installation
- Adapter design:
 - MM phosphorus bronze alignment sleeve (PhBr)

Ordering Information

Description

Packing Unit

Part Number

010.1785



FO Duct Outlet, ST, MM

With 4 ST Simplex adapters.
Colour: pure white/RAL 9010

1

R303458

FO Duct Outlet, SC Duplex, MM

With 2 SC Duplex adapters.
Colour: pure white/RAL 9010

1

R303462

FO Duct Outlet, E-2000™

With 4 E-2000™ Simplex adapters.
Colour: pure white/RAL 9010

1

R303452

FO Duct Outlet, MT-RJ

With 2 MT-RJ Duplex adapters.
Colour: pure white/RAL 9010

1

R303454

FO Duct Outlet, SC-RJ

With 1 MT-RJ Duplex adapter.
One port is empty to accommodate an SC-RJ or RJ45 module.

1

R303496

010.2312



FO WM Outlet, SC Duplex, MM

With 2 SC Duplex adapters.
Colour: pure white/RAL 9010

1

R304971

010.2871



FO WM Outlet, empty for SC-RJ/E-2000™, MM

For 2 E-2000™ Compact/SC-RJ.
Colour: pure white/RAL 9010

1

R309373



The telecommunications outlets of type FO Floorbox Outlet offer a wide range of advantages such as:

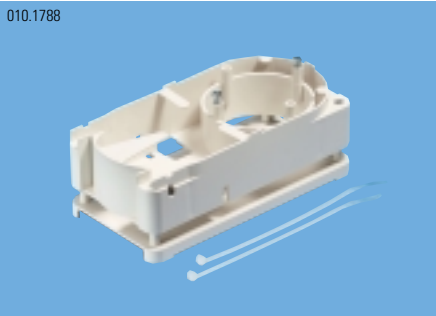
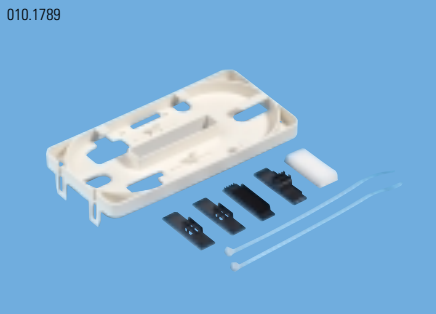


- Fiber optic outlet to terminate 4 or 8 fibers
- Snap on holders for various FO adapters
- Angled outlet of 80° for optimum cable and connector relief
- Cable management is integrated in the FO Floorbox Outlet
- Ideal for pre-terminated as well as field-terminated cables
- Suitable for various subfloor installations (Ackermann, Niedax/Elektraplan and OBO/Bettermann)
- Allows the combination of fiber optic and copper RJ45
- Adapter design:
 - MM phosphorus bronze alignment sleeve (PhBr)

Ordering Information



Description	Packing Unit	Part Number
<p>FO Floorbox Outlet, ST, MM With 4 ST Simplex adapters. Colour: pure white/RAL 9010</p>	1	R303472
<p>FO Floorbox Outlet, SC-Dx., MM With 2 ST Duplex adapters. Colour: pure white/RAL 9010</p>	1	R303476
<p>FO Floorbox Outlet, E-2000TM With 4 E-2000™ Simplex adapters. Colour: pure white/RAL 9010</p>	1	R303465
<p>FO Floorbox Outlet, MT-RJ With 2 MT-RJ Duplex adapters. Colour: pure white/RAL 9010</p>	1	R303467
<p>FO Floorbox Outlet, SC-RJ With 1 SC-RJ Duplex adapter. One port is empty to accommodate an SC-RJ or RJ45 module. Colour: pure white/RAL 9010</p>	1	R303469

**FO Outlets
Accessories**

Ordering Information	Description	Packing Unit	Part Number
<p>010.1788</p> 	<p>FO KR55 Cable Reservoir 55 mm mounting depth to FO Duct Outlet. Also fitting the systems: – Tehalit „System BR” – Ackermann „te li ko” installation ducts (WIK) and installation poles (ISS).</p>	1	R303478
<p>010.1789</p> 	<p>FO KR50 Cable Reservoir 55 mm mounting depth to FO Duct Outlet. Also fitting the system: – Tehalit „System FB”.</p>	1	R303488
<p>030.1384</p> 	<p>FO Splice Deposit to Cable Reservoir KR Up to 4 fusion or mechanical splices with matching splice holders incl. splice reserve can be carried out.</p>	1	R303489
<p>030.1384</p> 	<p>120 Perforated Labelling Strips Without logo (unlettered) for labelling FO outlets.</p>	10	R303635

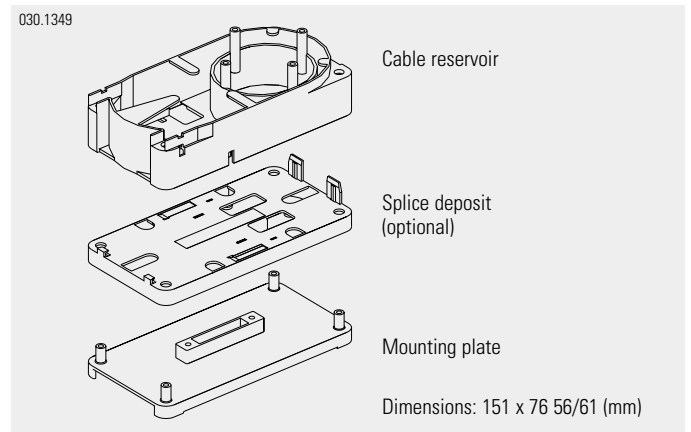
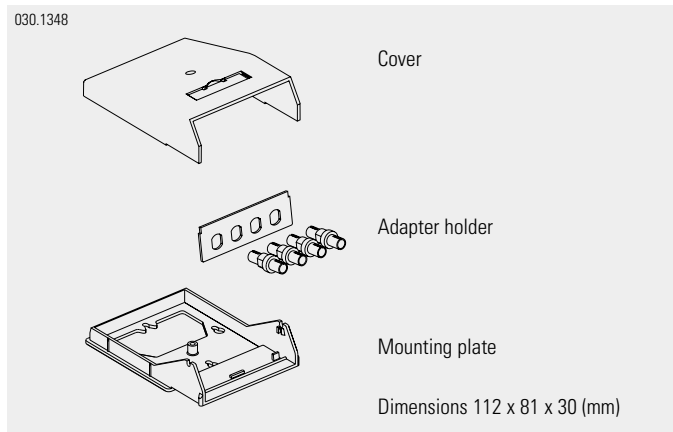
i A free MS Word template for fast and professional patch panel labelling is available on our website (www.rdm.com).

The VISIONsystem's range of FO outlets makes it possible to use FO connectors in various installation types such as:

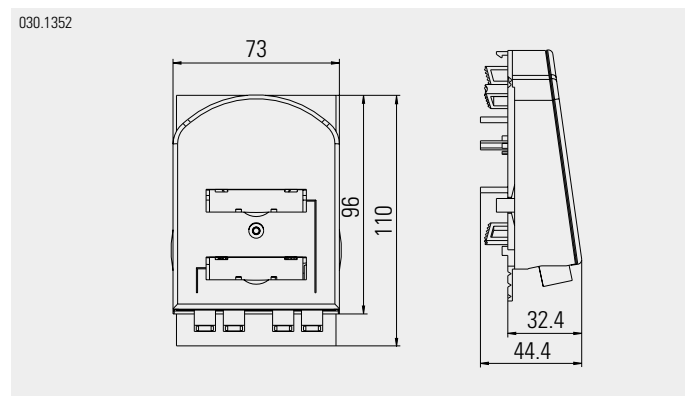
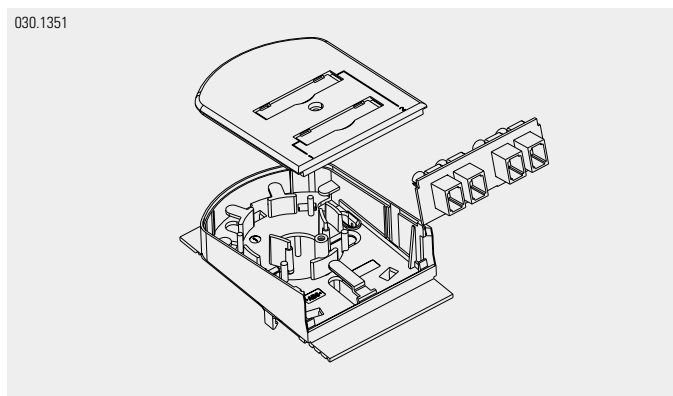
- Wall-mounted (flush or surface).
- Duct-mounted.
- Subfloor systems (floorboxes).

The FO Outlets permit termination of up to eight fibers through Simplex or Duplex adapters from R&M's VISIONsystem's product range.

FO Duct Outlet



FO Floorbox Outlet (for subfloor systems)



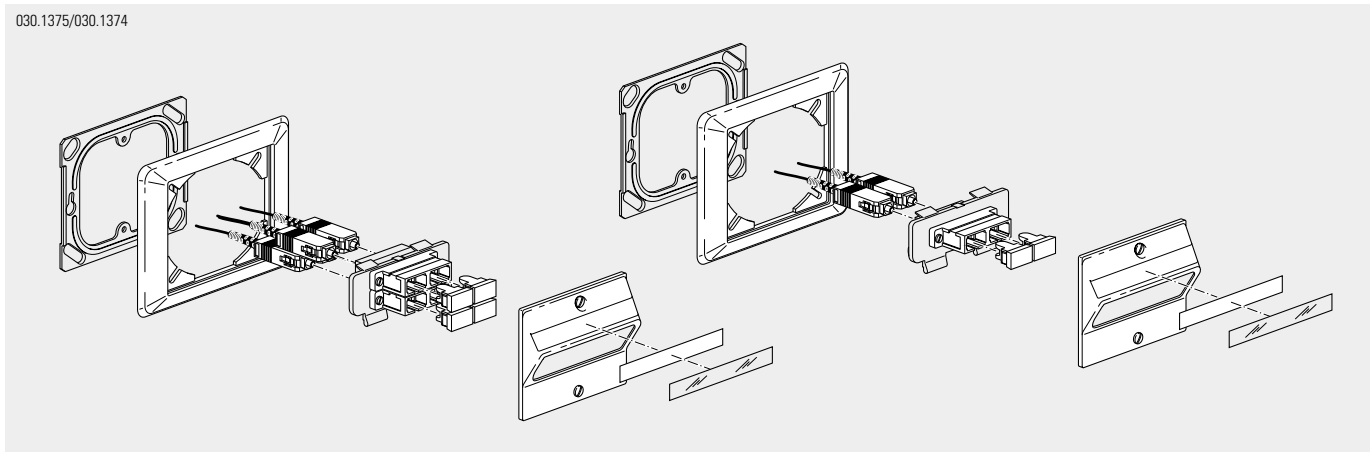
FO Module Holders to FO Outlets



The FO outlet module holder makes it possible to install pre-assembled cables in outlets fast and conveniently. Current RJ45 module holders can be easily replaced by FO outlet module holders, which allows a neat realisation of a „fiber to the desk“ solution with the existing outlets.

Features

- Matching existing RJ45 telecommunications outlets
- For pre-assembled or field-terminated cables
- Adapters fulfil international standards
- No additional FO outlets required
- Multi- and singlemode capable adapters
- Phosphorus bronze multimode alignment sleeves

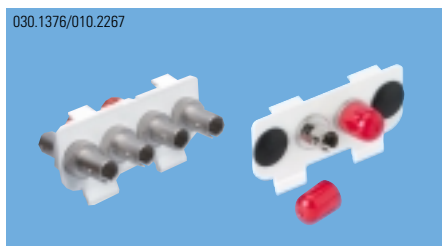


Ordering Information

Description

Packing Unit

Part Number



FO Outlet Module Holder with 2 x ST

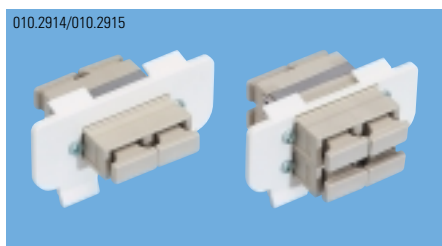
1

R308646

FO Outlet Module Holder with 4 x ST

1

R308644



FO Outlet Module Holder with 1 x SC Duplex

1

R308647

FO Outlet Module Holder with 2 x SC Duplex

1

R308645



**Outlets for SC-RJ and
E-2000TM Compact**



See also page 121.