

Qualified Partner Programme QPP

Field-termination of FO connectors

Felice Guarna



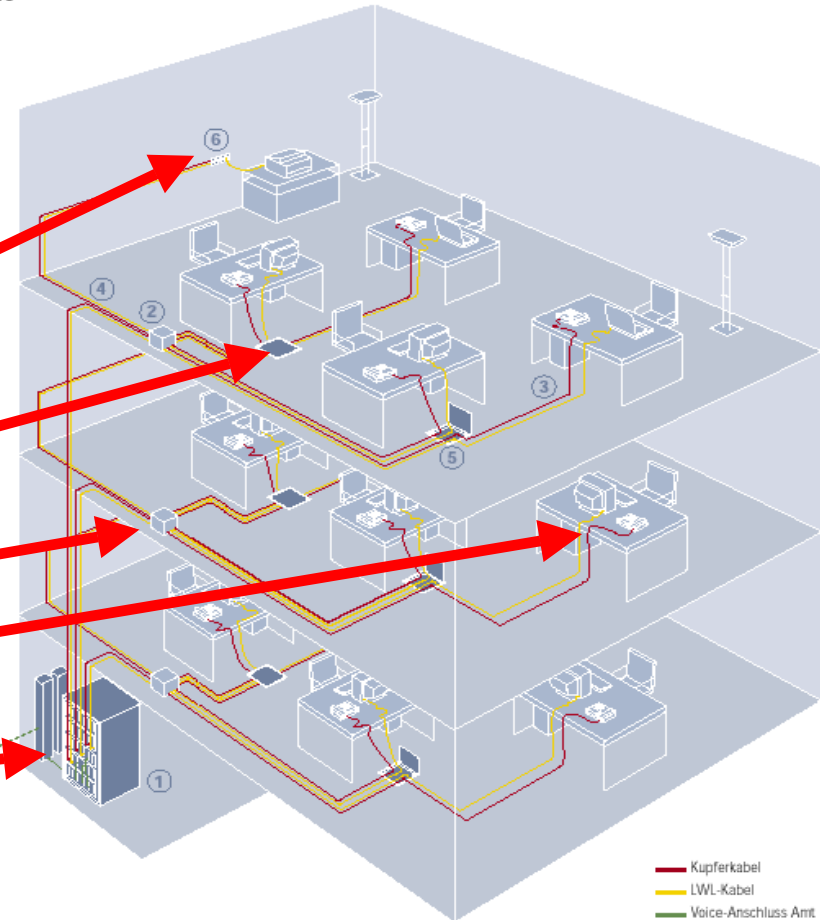
Convincing cabling solutions

Introduction

Fiber to the Home, Fiber to the Office and **Fiber to the Desk** are not just slogans and are state of the art during the planning process.

Beside the cabling and the fiber specification the connectors play a major role in:

- Outlet
- Floor Tank
- Floor Distribution
- Interface
- Building Distribution



Solution

To complete a building cabling simple and low priced the field termination connector is an ideal solution.



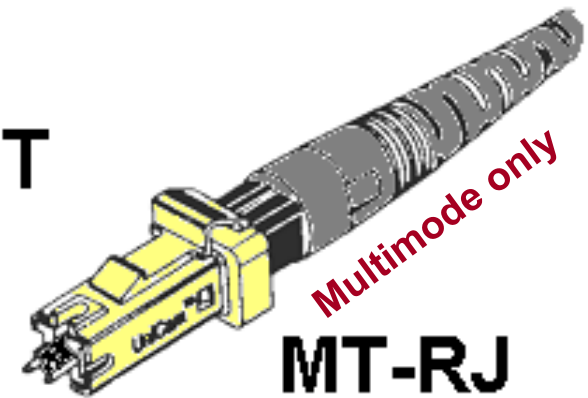
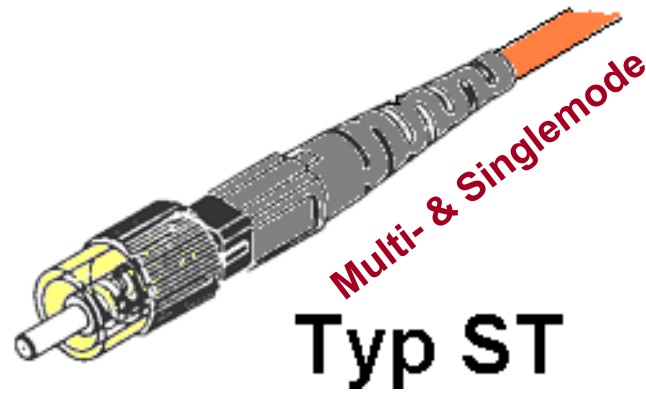
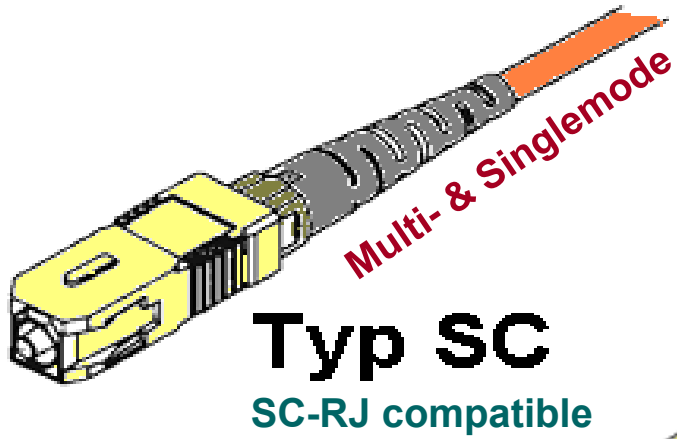
Easy handling and short and inexpensive training.



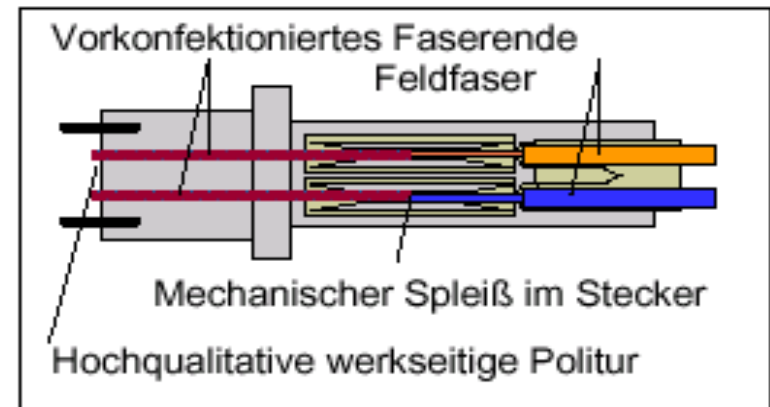
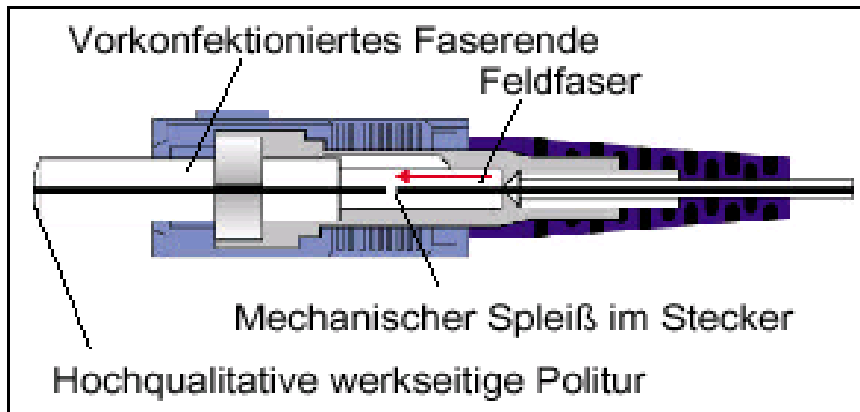
By comparison: To splice Pigtails high qualified staff and additional equipment (splice and OTDR ~ EUR 40'000.00) is necessary.



Connectors



Characteristics



- simple, fast and safe assembling -> no epoxy and no polishing
- Connector surface in top quality (machine polished)
- Low investment in tools – one Tool Kit for 3 type of connectors
- Visual „good/no good“ check in the connector (MT-RJ)
- Established technology (mech. splice)
- Insertion Loss < 0.5 dB

Tools Kit I Standard



Crimping tool for SC and ST connector

- fiber cleaver
- Primary and secondary coating stripper
- Jacket Stripper
- Crimp tool
- Length gauge
- Kevlar scissors
- Tweezers
- Marker
- Alcohol wipes
- Adhesive tape
- Instruction manual

Tool Kit II CTS



Crimping Tool for ST, SC and MT-RJ

- Tool Kit I Standard
- Red light source
- Splitter
- Patch-Cable
- Adapter MT-RJ

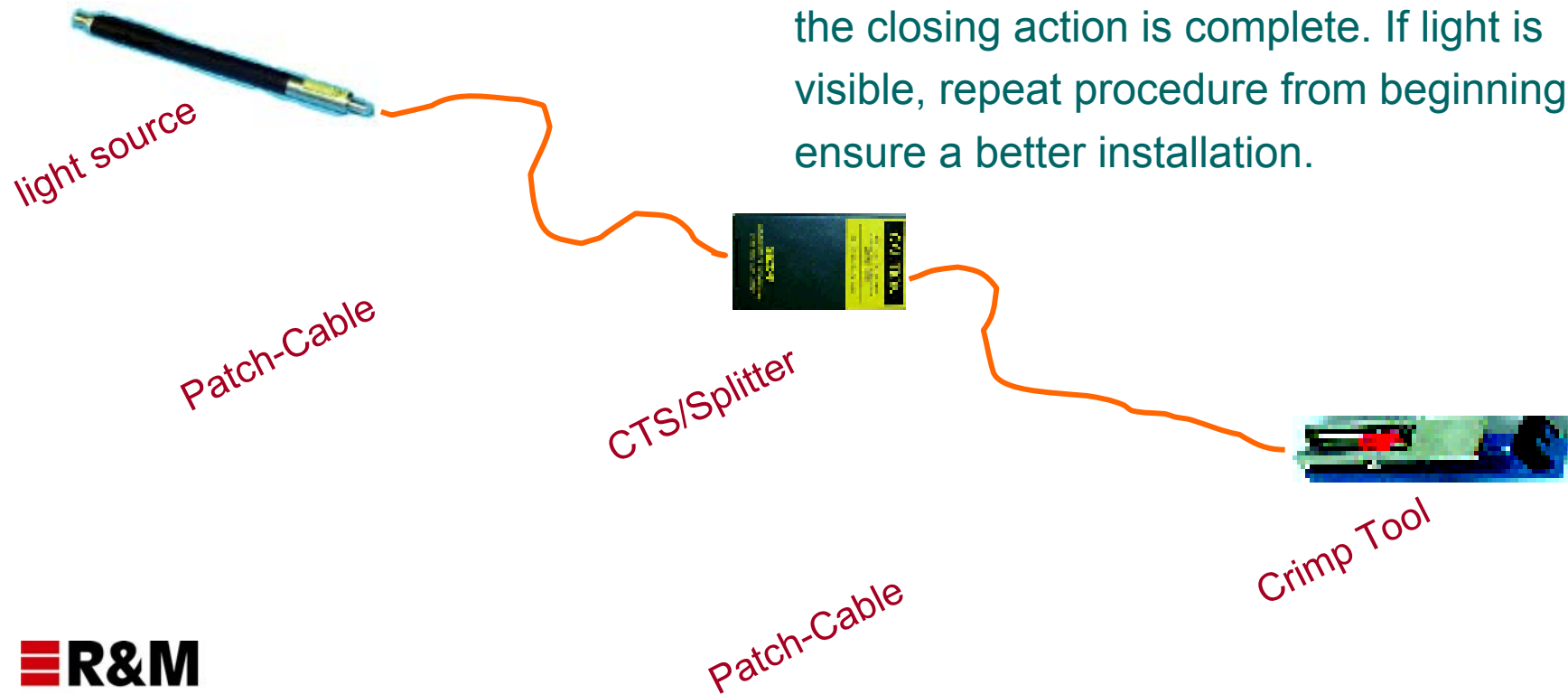
CTS = Continuity Test System



Convincing cabling solutions

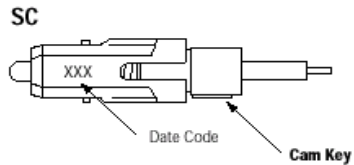
Set up

The **CTS** (Continuity Test System) allows to check the quality of your work during assembling the MT-RJ connector. Light should not be visible in the cam area once the closing action is complete. If light is visible, repeat procedure from beginning to ensure a better installation.

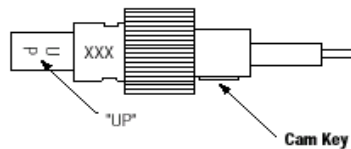


6 steps to success

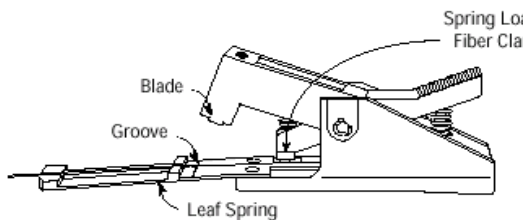
Check cam key is in the open position



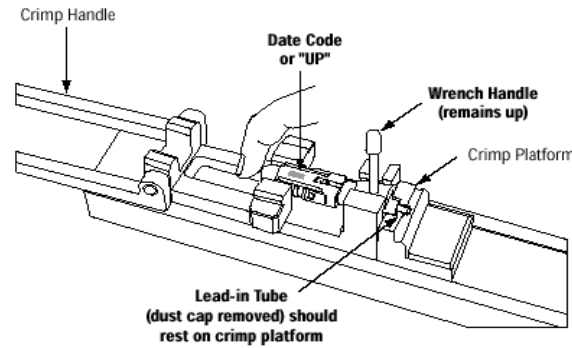
ST Compatible and FC



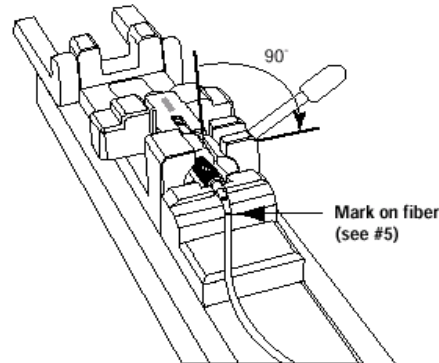
Cleaving
do not cut only score the fiber



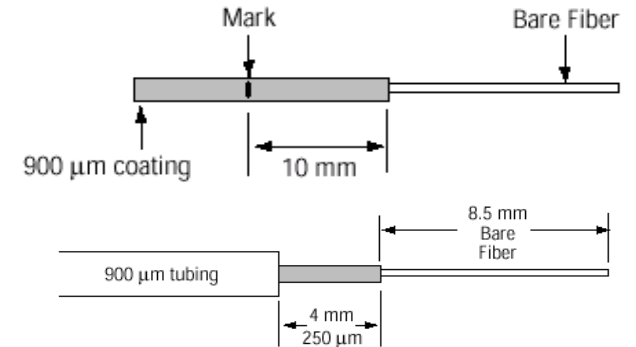
Place connector



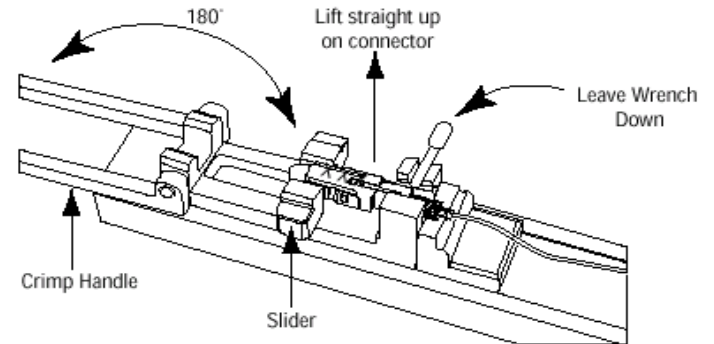
Field fiber touches fiber stub. Rotate handle



Mark for stripping and visual feedback



Flip crimp handle and push down firmly



Cable



Simplex/Duplex cable

ST, SC-Duplex and SC-RJ



Full-Breakout cable

ST, SC-Duplex and SC-RJ



Mini-Breakout Kabel

ST, SC/SC-RJ and MT-RJ



Loose tube cable

Not suitable for direct field termination



Convincing cabling solutions

Safety precautions

Eye protection

- Always wear eye protection when clearing or breaking glass fiber, when dealing with chemical substances and when working with the crimping tool. Otherwise your eyes suffer damage.

Safety precautions for work with glass fibers.

- Broken fiber are very sharp and can easily cut skin. Always be careful when working with cut glass fibers and store fragments in a safe place.

Safety aspects with laser beams

- Never look directly at the end of a terminated glass-fiber plugged connection. If there is an active laser source at the other end of the connection, the invisible radiation can severely damage your eyes. Depending on power and distance, laser beams can cause eye damage (retina) and also skin damage.
- There are different levels of danger in a laser, listed and described in IEC / EN 608025.
 - Classes 1, 2, 3A, 3B and class 4
 - The higher the class the more dangerous the laser.
- Not only international standards must be complied with and observed but also national rules, regulations and guidelines, the manufacturer's safety guidelines as well as the instructions of the radiation protection technician.